

DESCRIPTION

AMC MODEL SW-2000-4AT IS AN ABSORPTIVE SP4T SWITCH MODULE WITH INTEGRAL TTL DRIVER, DESIGNED FOR LOW LOSS AND LOW VSWR BROAD BAND APPLICATIONS.

SPECIFICATIONS

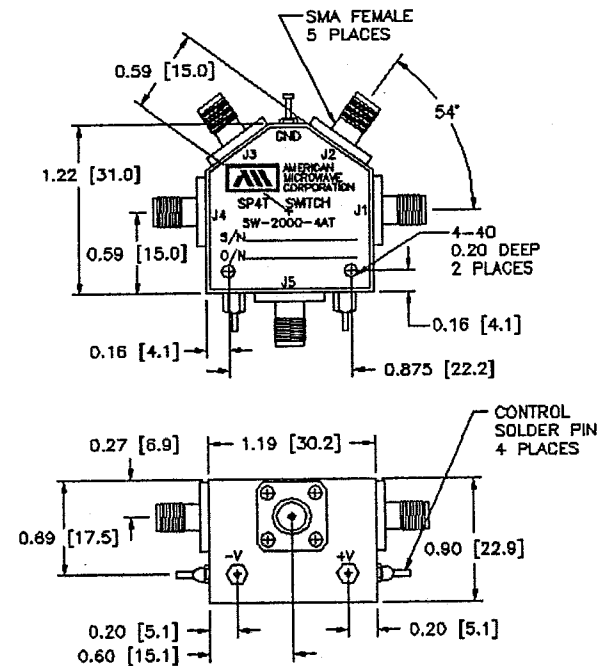
- FREQUENCY RANGE 0.1-2 GHz MINIMUM
- INSERTION LOSS 1 dB MAXIMUM
- ISOLATION 65 dB MINIMUM
- VSWR (ON/OFF) 1.2:1 MAXIMUM
- SWITCHING TIME
 - RISE (10% RF TO 90% RF) 50 ns MAXIMUM
 - FALL (90% RF TO 10% RF) 50 ns MAXIMUM
 - ON (50% TTL TO 90% RF) 150 ns MAXIMUM
 - OFF (50% TTL TO 10% RF) 150 ns MAXIMUM
- RF POWER RATINGS +27 dBm CW MAXIMUM
- CONTROL TTL COMPATIBLE, UNITY LOAD
LOGIC "0" = ISOLATION
LOGIC "1" = INSERTION LOSS
- POWER SUPPLY +5VDC ±5% @ 200 mA MAXIMUM
-5VDC ±5% @ 50 mA MAXIMUM
- CONNECTORS
 - RF INPUT/OUTPUT SMA (FEMALE)
 - POWER SOLDER PIN (EMI)
 - CONTROL SOLDER PIN
- SIZE 1.19" x 1.22" x 0.90"

AVAILABLE OPTIONS

- A01 50Ω CONTROL IMPEDANCE
- A02 100Ω CONTROL IMPEDANCE
- A03 INVERSE CONTROL LOGIC (LOGIC "0" INSERTION LOSS)
- A08 SMA MALE CONNECTORS
- A10 ±12VDC TO ±18VDC SUPPLY POWER
- A11 SMC MALE CTL CONNECTOR

ZONE		REV.	DESCRIPTION	DATE	APPROVED
A			ORIGINAL RELEASE, JOB # 207197-2E	11/22/92	<i>[Signature]</i>


MECHANICAL OUTLINE



- NOTES:
- 1) DIMENSIONS ARE IN INCHES [MILLIMETERS]
 - 2) TOLERANCES: X.XX ±0.020
X.XXX ±0.010
 - 3) WEIGHT: APPROX. 6 OZ

ENVIRONMENTAL RATINGS

- TEMPERATURE -55°C TO +95°C (OPERATING)
-65°C TO +125°C (STORAGE)
- HUMIDITY MIL-STD-202F, METHOD 103B COND. B
- SHOCK MIL-STD-202F, METHOD 213B COND. B
- VIBRATION MIL-STD-202F, METHOD 204D COND. B
- ALTITUDE MIL-STD-202F, METHOD 105C COND. B
- TEMPERATURE CYCLE MIL-STD-202F, METHOD 107D COND. A

		AMERICAN MICROWAVE CORPORATION 7311G GROVE RD., FREDERICK, MD. 21701 TEL: (301) 662-4700 FAX: (301) 662-4938	
APPROVALS	DATE	PRODUCT FEATURE SW-2000-4AT (SW-2181-4AT-A3052) 0.01-2.0 GHz, NON-REFLECTIVE SP4T SWITCH MODULE	
DRAWN <i>[Signature]</i>	11/22/92		
CHECKED <i>[Signature]</i>	11/22/92		
SIZE A		SHEET 1 OF 2	
		DWG. # 100-2876	