

DESCRIPTION

TUNNEL DIODE DETECTOR

PRODUCT FEATURES:

- MINIATURE CONSTRUCTION
- FAST PULSE DETECTING CAPABILITY (LESS THAN 5nSEC TYPICAL RISE TIME)
- BROADBAND, FLAT FREQUENCY RESPONSE
- EXCELLENT TEMPERATURE STABILITY
- VERY LOW 1/F NOISE
- SMA CONNECTORS

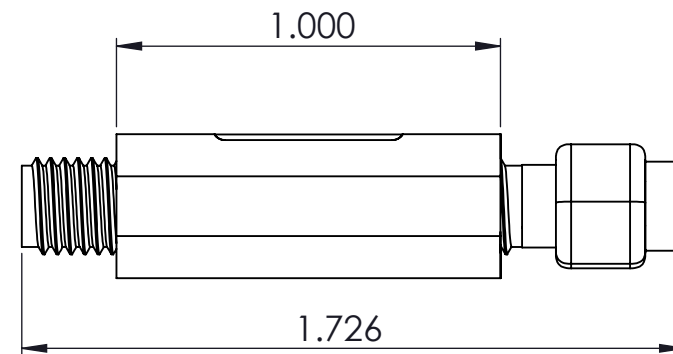
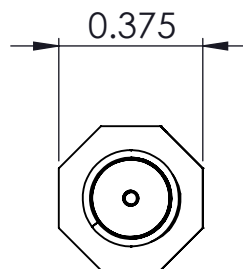
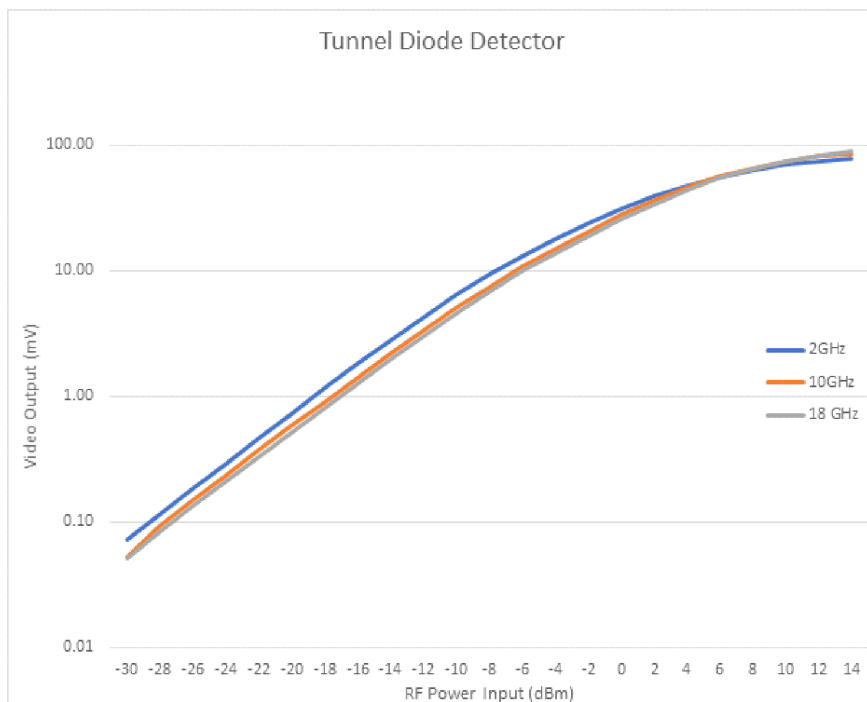
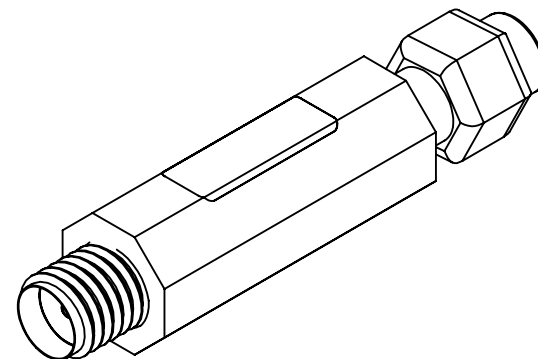
REVISIONS				
ZONE	REV.	DESCRIPTION	DATE	APPROVED
	A	SEE ER# 030-18	7/16/18	RRA

SPECIFICATIONS:(@+25°C)

- FREQUENCY: 2 - 18GHz
- MIN SENSITIVITY: 500mV/mW
- TTS: -47dBm
- MAX FLATNESS: 2.0 +/- dB
- TYPICAL VSWR: 5:1
- NOM OUTPUT CAP: 10pF
- NOM OUT R: 130 OHMS

APPLICATIONS:

- TRANSMITTER MONITORING
- RADAR EQUIPMENT
- MISSILE GUIDANCE SYSTEMS
- INPUT TO LOW-NOISE AMPLIFIERS
- BROADBAND OR NARROWBAND ECM RECEIVERS
- POWER AND SIGNAL MONITORS
- DOPPLER RADAR AND BEACON RECEIVERS



ENVIRONMENTAL RATINGS:

- TEMPERATURE: -40°C TO +85°C (OPERATING)
-65°C TO +125°C (STORAGE)
- HUMIDITY: MIL-STD-202F, METHOD 103B COND. B
- SHOCK: MIL-STD-202F, METHOD 213B COND. B
- VIBRATION: MIL-STD-202F, METHOD 204D COND. B
- ALTITUDE: MIL-STD-202F, METHOD 105C COND. B
- TEMPERATURE CYCLE: MIL-STD-202F, METHOD 107D COND. A

NOTE: SPECIFICATIONS WILL VARY OVER OPERATING TEMPERATURE
NOTE: THE ABOVE SPECIFICATIONS ARE SUBJECT TO CHANGE OR REVISION
* Units are designed to meet Environmental ratings but not tested.
If Environmental Testing is required, please contact Sales Department.

ALL DIMENTIONS ARE IN INCHES
TOLERANCES: X.XX ±0.020
X.XXX ±0.010

PRELIMINARY DESIGN

PART NO.		AMERICAN MICROWAVE CORPORATION FREDERICK, MARYLAND		
APPROVALS	DATE	TITLE		
DRAWN	RJW	7/16/18	PRODUCT FEATURE DD-218-T TUNNEL DIODE DETECTOR	
ENG	RRA	7/16/18		
QAE	RRA	7/16/18	SIZE	REV.
			A	A
			FSCM NO. 60483	DWG NO. 100-8876
			SCALE 2:1	SHEET 1 of 1