

DESCRIPTION

TUNNEL DIODE DETECTOR

PRODUCT FEATURES:

MINIATURE CONSTRUCTION
 FAST PULSE DETECTING CAPABILITY (LESS THAN 5nSEC TYPICAL RISE TIME)
 BROADBAND, FLAT FREQUENCY RESPONSE
 EXCELLENT TEMPERATURE STABILITY
 VERY LOW 1/F NOISE
 DROP-IN DESIGN

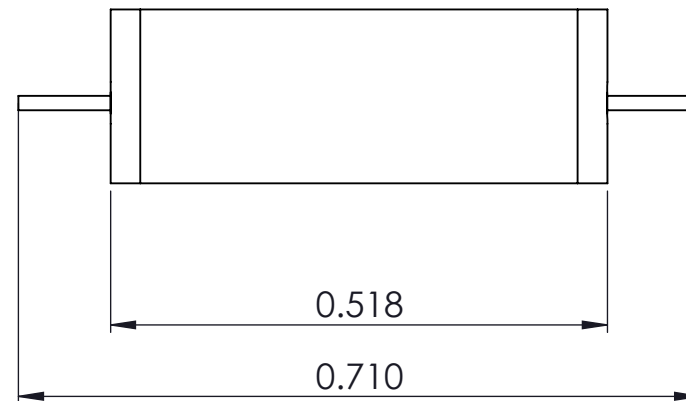
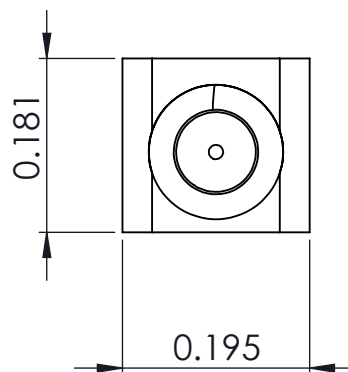
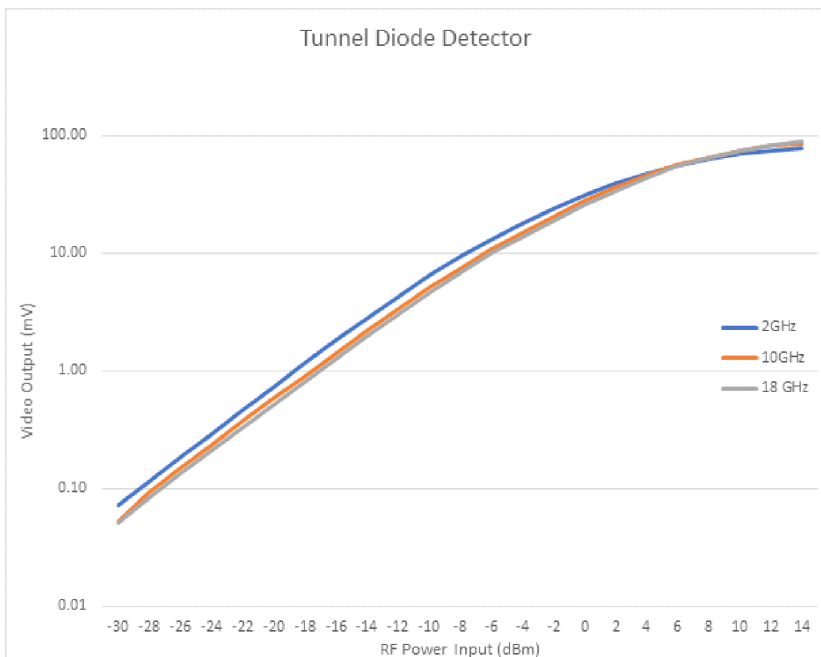
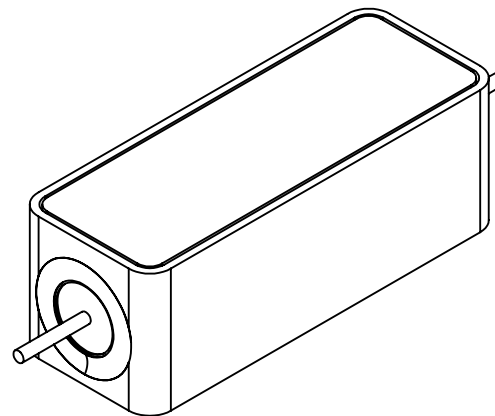
REVISIONS				
ZONE	REV.	DESCRIPTION	DATE	APPROVED
	A	SEE ER# 034-18	8/2/18	RRA

SPECIFICATIONS:(@+25°C)

FREQUENCY: 2 - 18GHz
 MIN SENSITIVITY: 500mV/mW
 TTs: -47dBm
 MAX FLATNESS: 2.0 +/- dB
 TYPICAL VSWR: 5:1
 NOM OUTPUT CAP: 10pF
 NOM OUT R: 130 OHMS

APPLICATIONS:

TRANSMITTER MONITORING
 RADAR EQUIPMENT
 MISSILE GUIDANCE SYSTEMS
 INPUT TO LOW-NOISE AMPLIFIERS
 BROADBAND OR NARROWBAND ECM RECEIVERS
 POWER AND SIGNAL MONITORS
 DOPPLER RADAR AND BEACON RECEIVERS



ENVIRONMENTAL RATINGS:

- TEMPERATURE: ————— -40°C TO +85°C (OPERATING)
 -65°C TO +125°C (STORAGE)
- HUMIDITY: ————— MIL-STD-202F, METHOD 103B COND. B
- SHOCK: ————— MIL-STD-202F, METHOD 213B COND. B
- VIBRATION: ————— MIL-STD-202F, METHOD 204D COND. B
- ALTITUDE: ————— MIL-STD-202F, METHOD 105C COND. B
- TEMPERATURE CYCLE: ——— MIL-STD-202F, METHOD 107D COND. A

NOTE: SPECIFICATIONS WILL VARY OVER OPERATING TEMPERATURE
 NOTE: THE ABOVE SPECIFICATIONS ARE SUBJECT TO CHANGE OR REVISION

* Units are designed to meet Environmental ratings but not tested.
 If Environmental Testing is required, please contact Sales Department.

ALL DIMENSIONS ARE IN INCHES
 TOLERANCES: X.XX ±0.02
 X.XXX ±0.010

PRELIMINARY DESIGN

PART NO.		AMERICAN MICROWAVE CORPORATION FREDERICK, MARYLAND			
APPROVALS	DATE	TITLE			
DRAWN RJW	7/31/18	PRODUCT FEATURE DDM-218-T TUNNEL DIODE DETECTOR			
ENG RRA	7/31/18				
QAE RRA	7/31/18	SIZE A	FSCM NO. 60483	DWG NO. 100-8880	REV. A
		SCALE 2:1	SHEET		1 of 1