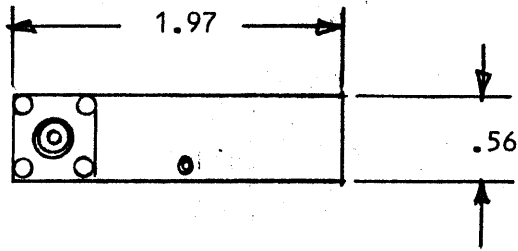


100-431

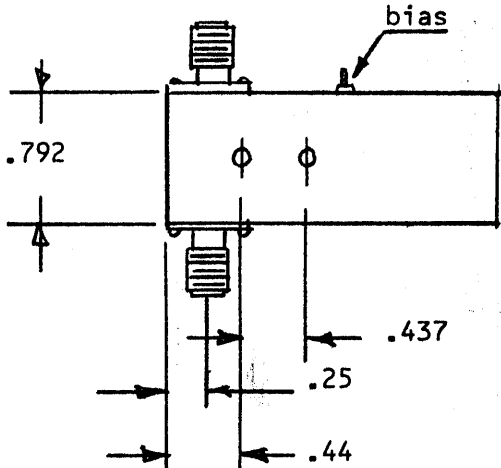
DATE	SYM	REVISION RECORD	AUTH.	DR.	CK.



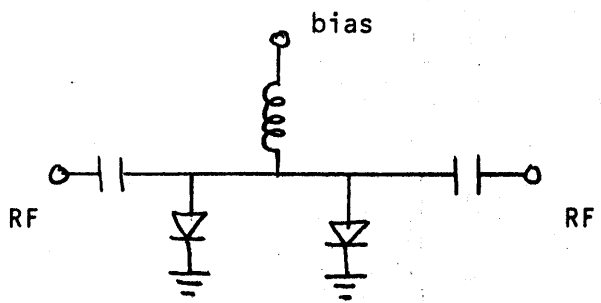
SPECIFICATIONS

Frequency Range: 10MHz-18.6GHz  
 Attenuation Range: 30 dB, min  
                           35 dB, typ  
 Insertion Loss: 1.5dB, max  
 Bias Requirements: 0 to +10ma atten.  
                           -10VDC Low loss

Connectors: RF: SMA Jack  
 Bias: Solder Pin



MECHANICAL OUTLINE



SCHEMATIC DIAGRAM

<b>TOLERANCES</b> (EXCEPT AS NOTED)		AMERICAN MICROWAVE CORPORATION FREDERICK, MARYLAND 21701	
<b>DECIMAL</b>		<b>SCALE</b>	<b>DRAWN BY</b> RS
±			<b>APPROVED BY</b> <i>RS</i>
<b>FRACTIONAL</b>	<b>TITLE</b> DATA SHEET PIN DIODE ATTENUATOR MODEL AGC-0118		
±	<b>DATE</b> 12-07-84	<b>DRAWING NUMBER</b> 100-431	
<b>ANGULAR</b>			
±			