

SPECIFICATIONS

- FREQUENCY RANGE: 1 TO 20 GHz
- DYNAMIC RANGE: -45dBm TO +5dBm
- VSWR: 2.8:1 MAXIMUM
- TSS (ROOM): -44dBm MINIMUM
- LOG LINEARITY @ 25° C: ±1.0dB MAXIMUM
- FREQUENCY FLATNESS @ 25°C BASED ±3.0dB MAXIMUM ON A NOMINAL SLOPE OF 80mV/dB
- LOG ACCURACY @ 25° C: ±2.5dB MAXIMUM
- LOG SLOPE ±5%: 80mV/dB
- LOG LINEARITY OVER TEMP: ±1.2dB MAXIMUM
- FREQUENCY FLATNESS OVER TEMP BASED ±3.5dB MAXIMUM ON A NOMINAL SLOPE OF 80mV/dB
- LOG ACCURACY OVER TEMP: ±3.0dB MAXIMUM
- OUTPUT RISE TIME: 40nSEC MAXIMUM
- OUTPUT RECOVERY TIME (10uSEC PULSE WIDTH):
 - FROM -40 TO -20dBm: 700nSEC MAXIMUM
 - FROM -15 TO -5dBm: 3.5uSEC MAXIMUM
 - FROM 0 TO +5dBm: 6uSEC MAXIMUM
- OUTPUT NOISE (RMS): 700mV MAXIMUM
- PEAK VOLTAGE OF OUTPUT NOISE: 640mV ABOVE GND MORE THAN 4 TIMES/SEC OVER 10 SEC.
- POST CW RECOVERY FROM -40 TO 30uSEC MAXIMUM -25dBm
- POST CW RECOVERY @ +5dBm: 400uSEC MAXIMUM
- LOAD IMPEDANCE: 93 OHMS ±10%
- DC POWER (NO LOAD)
 - +V 12V @ 120MA MAXIMUM
 - V 12V @ 150MA MAXIMUM
- WEIGHT 3.7 OZ. MAXIMUM
- TEMPERATURE: -54°C TO +95°C CONTINUOUS UP TO +120°C FOR 30 MINUTES

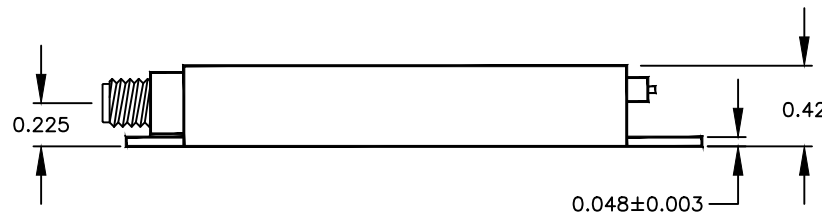
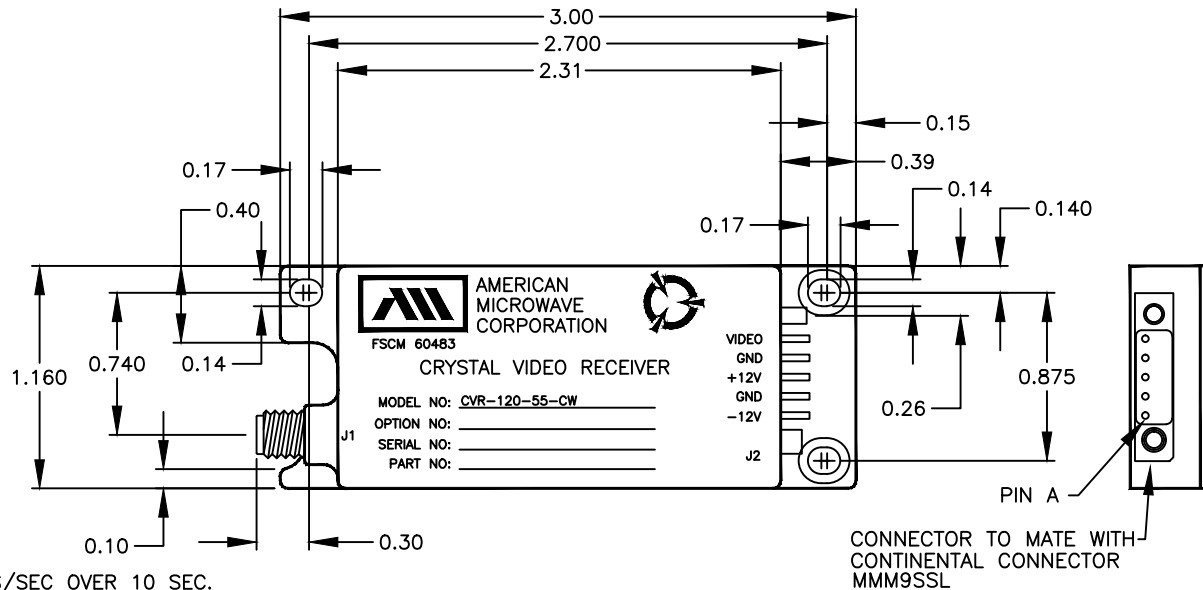
ENVIRONMENTAL RATINGS:

- TEMPERATURE: -54°C TO +95°C (OPERATING) -65°C TO +125°C (STORAGE)
- HUMIDITY: MIL-STD-202F, METHOD 103B COND. B
- SHOCK: MIL-STD-202F, METHOD 213B COND. B
- VIBRATION: MIL-STD-202F, METHOD 204D COND. B
- ALTITUDE: MIL-STD-202F, METHOD 105C COND. B
- TEMPERATURE CYCLE: MIL-STD-202F, METHOD 107D COND. A

NOTE: SPECIFICATIONS WILL VARY OVER OPERATING TEMPERATURE
 NOTE: THE ABOVE SPECIFICATIONS ARE SUBJECT TO CHANGE OR REVISION
 * Units are designed to meet Environmental ratings but not tested. If Environmental Testing is required, please contact Sales Department.



REVISIONS				
ZONE	REV.	DESCRIPTION	DATE	APPROVED
	A	SEE ER# 052-14	11/12/14	RA
	B	SEE ECN# 14-048	12/19/14	RA
	C	SEE ECN# 16-003	1/18/16	RAA



ALL DIMENSIONS ARE IN INCHES
 TOLERANCES:
 X.XX ±0.05
 X.XXX ±0.010

AMERICAN MICROWAVE CORPORATION

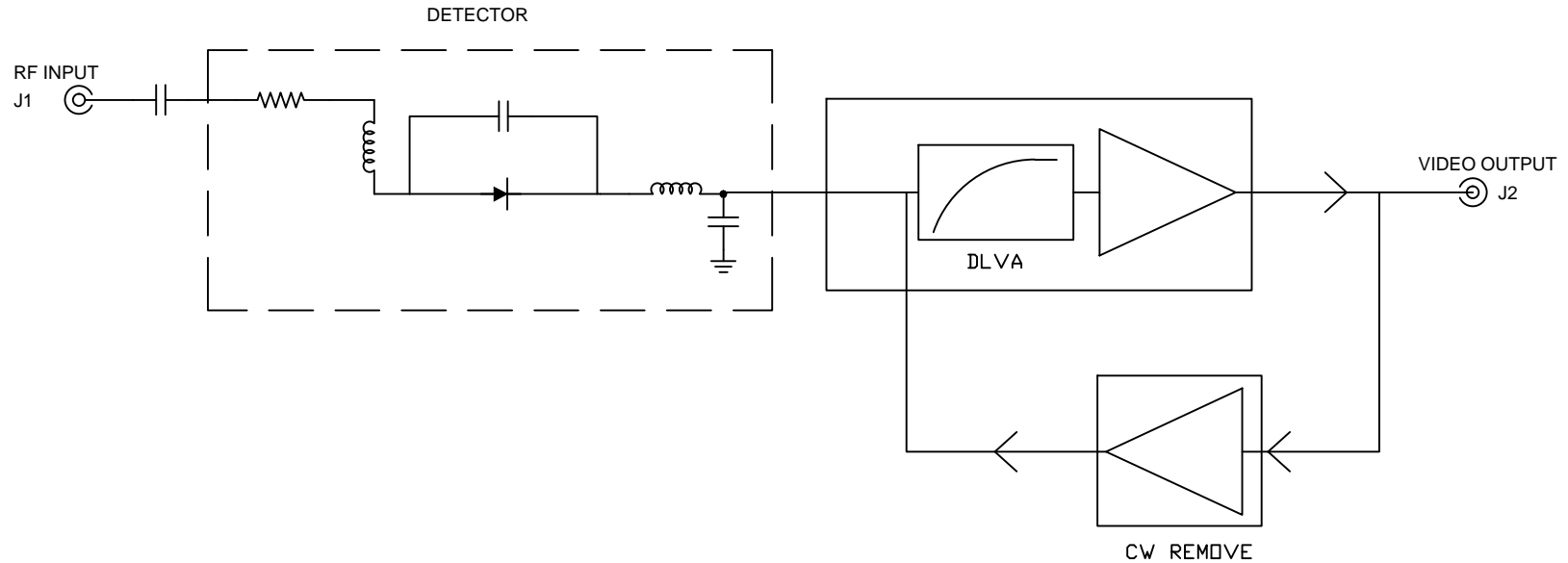
7309-A GROVE ROAD
 FREDERICK, MARYLAND 21704 USA
 TEL: 301-662-4700 FAX: 301-662-4938
 WEBSITE: www.americanmic.com
 E-MAIL: sales@americanmic.com
 ISO 9001:2000 CERTIFIED



APPROVALS		DATE	TITLE			REV.
DRAWN	RAA	1/18/16	PRODUCT FEATURE CVR-120-55-CW			C
ENG	RA	1/18/16	SIZE	FSCM NO.	DWG NO.	
QAE			A	60483	100-8603	
			SCALE	SHEET		1 OF 2

BLOCK DIAGRAM

REVISIONS				
ZONE	REV.	DESCRIPTION	DATE	APPROVED
	A	SEE ER# 052-14	11/12/14	RA
	B	SEE ECN# 14-048	12/19/14	RA
	C	SEE ECN# 16-003	1/18/16	RA



AMERICAN MICROWAVE CORPORATION

7309-A GROVE ROAD
 FREDERICK, MARYLAND 21704 USA
 TEL: 301-662-4700 FAX: 301-662-4938
 WEBSITE: www.americanmic.com
 E-MAIL: sales@americanmic.com
 ISO 9001:2000 CERTIFIED



ALL DIMENSIONS ARE IN INCHES
 TOLERANCES:
 X.XX ±0.05
 X.XXX ±0.010

APPROVALS		DATE	TITLE			REV.
DRAWN	RA	1/18/16	PRODUCT FEATURE			
ENG	RA	1/18/16	CVR-120-55-CW			
QAE			SIZE	FSCM NO.	DWG NO.	
			A	60483	100-8603	C
			SCALE	N:S	SHEET	2 OF 2