

SPECIFICATIONS:

- FREQUENCY: 0.5 GHz TO 18 GHz
- INSERTION LOSS: REFLECTIVE: 3.25db
ABSORPTIVE: 4.0db
- ISOLATION: 0.5 GHz TO 18 GHz: 60db
- VSWR: REFLECTIVE IN/OUT: 2.0:1
ABSORPTIVE IN/OUT: 2.0:1
ABSORPTIVE OUT/OFF: 2.0:1
- SPEED: RISE: 15ns MAX.
FALL: 15ns MAX.
DELAY ON: 100ns MAX.
DELAY OFF: 100ns MAX.
- POWER INPUT: (CW)+20dBm (STANDARD), +10 dBm (HIGH SPEED)
- SURVIVAL POWER: 1 WATT CW, 10 WATTS PEAK 1 usec
- CONTROL: TTL LOGIC "0"=ON "1"=OFF
- POWER SUPPLY: +5V @ 250 mA MAX.
-5V @ 75mA MAX.(RELECTIVE)
100mA MAX.(ABSORPTIVE/NON-REFLECTIVE)

OPTIONS:

- DEC-SP 3 BIT DECODER WITH SOLDER PIN
- B01 -12V POWER SUPPLIES
- B02 -15V POWER SUPPLIES
- B03 REVERSE LOGIC "1"=ON "0"=OFF
- B04 DRIVERLESS, CURRENT CONTROLLED
- B05 HIGH SPEED, TURNON/TURNOFF 25 nsec MAXIMUM WHEN APPLICABLE
- B06 HIGH POWER - SPECIFY CW POWER, PEAK POWER, PULSE WIDTH, DUTY CYCLE, RF FREQUENCY AND BANDWIDTH
- B08 LOW VIDEO TRANSIENTS - SPECIFY VIDEO BANDWIDTH
- B10 HIGHER ISOLATION VERSION (SPECIFY)

ENVIRONMENTAL RATINGS:

- TEMPERATURE: -40°C TO +85°C (OPERATING)
-65°C TO +125°C (STORAGE)
- HUMIDITY: MIL-STD-202F, METHOD 103B COND. B
- SHOCK: MIL-STD-202F, METHOD 213B COND. B
- VIBRATION: MIL-STD-202F, METHOD 204D COND. B
- ALTITUDE: MIL-STD-202F, METHOD 105C COND. B
- TEMPERATURE CYCLE: MIL-STD-202F, METHOD 107D COND. A

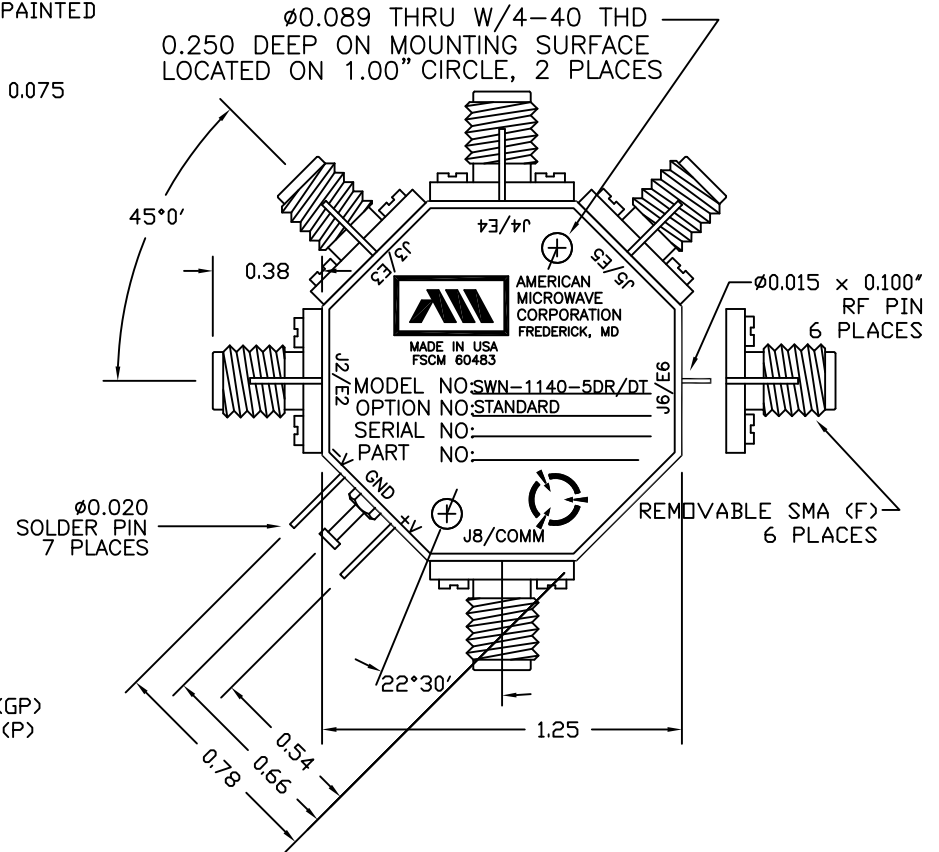
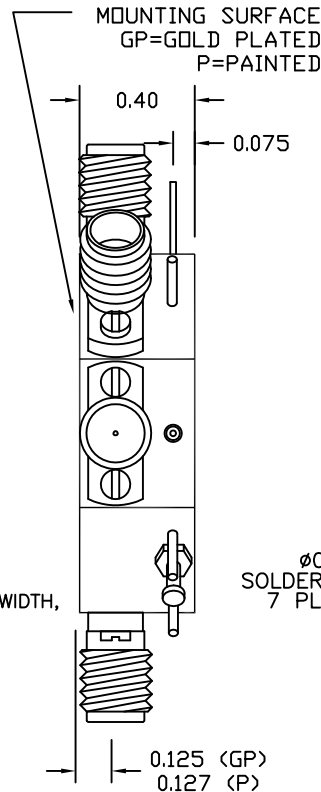
NOTE: SPECIFICATIONS WILL VARY OVER OPERATING TEMPERATURE
NOTE: THE ABOVE SPECIFICATIONS ARE SUBJECT TO CHANGE OR REVISION

* Units are designed to meet Environmental ratings but not tested. If Environmental Testing is required, please contact Sales Department.

ALL DIMENSIONS ARE IN INCHES
TOLERANCES:

X.XX ±0.020
X.XXX ±0.010

REVISIONS				
ZONE	REV.	DESCRIPTION	DATE	APPROVED
	A	ORIGINAL RELEASE	8/12/97	
	B	SEE ECR# 09-025	6/8/09	



NOTE:
DR=WITH DRIVER, REFLECTIVE
DT=WITH DRIVER, NON-REFLECTIVE/ABSORPTIVE

CONTRACT NO.		AMERICAN MICROWAVE CORPORATION FREDERICK, MARYLAND			
APPROVALS	DATE	TITLE OUTLINE DRAWING SWN-1140-5DR/DT-STANDARD REFLECTIVE OR NON-REFLECTIVE/ABSORPTIVE RADIAL SOLID STATE SWITCH			
DRAWN WYP	8/12/97				
CHECKED					
ISSUED		SIZE A	FSCM NO. 60483	DWG NO. 100-4168-1	REV. B
SCALE N/S				SHEET 1 of 1	