

SPECIFICATIONS:

- FREQUENCY: 0.5 GHz TO 18 GHz
- INSERTION LOSS: REFLECTIVE: 3.0db
..... ABSORPTIVE: 3.75db
- ISOLATION: 0.5 GHz TO 18 GHz: 60db
- VSWR: REFLECTIVE IN/OUT: 2.0:1
..... ABSORPTIVE IN/OUT: 2.0:1
..... ABSORPTIVE OUT/OFF: 2.0:1
- SPEED: RISE: 15ns MAX.
..... FALL: 15ns MAX.
..... DELAY ON: 100ns MAX.
..... DELAY OFF: 100ns MAX.
- POWER INPUT: (CW)+20dBm (STANDARD), +10 dBm (HIGH SPEED)
- SURVIVAL POWER: 1 WATT CW, 10 WATTS PEAK 1 usec
- CONTROL: TTL LOGIC "0"=ON "1"=OFF
- POWER SUPPLY: +5V @ 200 mA MAX.
..... -5V @ 75mA MAX.(RELECTIVE)
..... 100mA MAX.(ABSORPTIVE/NON-REFLECTIVE)

OPTIONS:

- DEC-MP: 2 BIT DECODER WITH MULTIPIN
- DEC-SP: 2 BIT DECODER WITH SOLDER PIN
- MP-IND: INDEPENDENT CONTROL WITH MULTIPIN
- B01: -12V POWER SUPPLIES
- B02: -15V POWER SUPPLIES
- B03: REVERSE LOGIC "1"=ON "0"=OFF
- B04: DRIVERLESS, CURRENT CONTROLLED
- B05: HIGH SPEED, TURNON/TURNOFF 20 nsec MAXIMUM
..... WHEN APPLICABLE OR OPTION HS
- B06: HIGH POWER - SPECIFY CW POWER, PEAK POWER, PULSE WIDTH,
..... DUTY CYCLE, RF FREQUENCY AND BANDWIDTH
- B08: LOW VIDEO TRANSIENTS - SPECIFY VIDEO BANDWIDTH
- B10: HIGHER ISOLATION VERSION (SPECIFY)

ENVIRONMENTAL RATINGS:

- TEMPERATURE: -40°C TO +85°C (OPERATING)
..... -65°C TO +125°C (STORAGE)
- HUMIDITY: MIL-STD-202F, METHOD 103B COND. B
- SHOCK: MIL-STD-202F, METHOD 213B COND. B
- VIBRATION: MIL-STD-202F, METHOD 204D COND. B
- ALTITUDE: MIL-STD-202F, METHOD 105C COND. B
- TEMPERATURE CYCLE: MIL-STD-202F, METHOD 107D COND. A

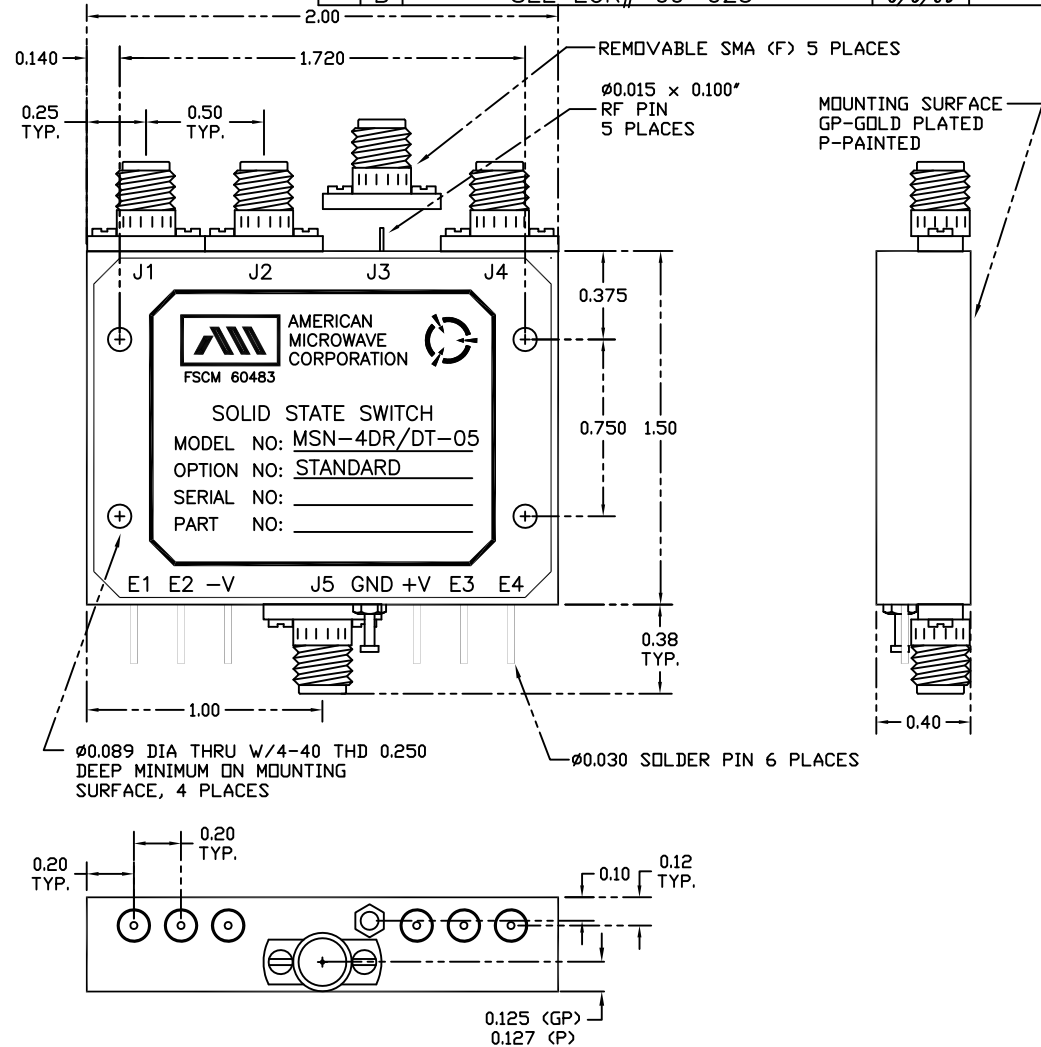
NOTE: SPECIFICATIONS WILL VARY OVER OPERATING TEMPERATURE
NOTE: THE ABOVE SPECIFICATIONS ARE SUBJECT TO CHANGE OR REVISION

* Units are designed to meet Environmental ratings but not tested. If Environmental Testing is required, please contact Sales Department.

ALL DIMENSIONS ARE IN INCHES
TOLERANCES:

- X.XX ±0.020
- X.XXX ±0.010

REVISIONS				
ZONE	REV.	DESCRIPTION	DATE	APPROVED
	A	ORIGINAL RELEASE	8/5/97	
	B	SEE ECR# 09-025	6/8/09	



NOTE:

- DR=WITH DRIVER, REFLECTIVE
- DT=WITH DRIVER, NON-REFLECTIVE/ABSORPTIVE

PART NO.		AMERICAN MICROWAVE CORPORATION FREDERICK, MARYLAND		
APPROVALS	DATE	TITLE		
DRAWN <i>WYP</i>	8/5/97	OUTLINE DRAWING MSN-4DR/DT-05-STANDARD REFLECTIVE OR NON-REFLECTIVE/ABSORPTIVE SOLID STATE SWITCH		
CHECKED		SIZE	FSCM NO.	DWG NO.
ISSUED		A	60483	100-4007-1
		SCALE		SHEET 1 of 1
				REV. B