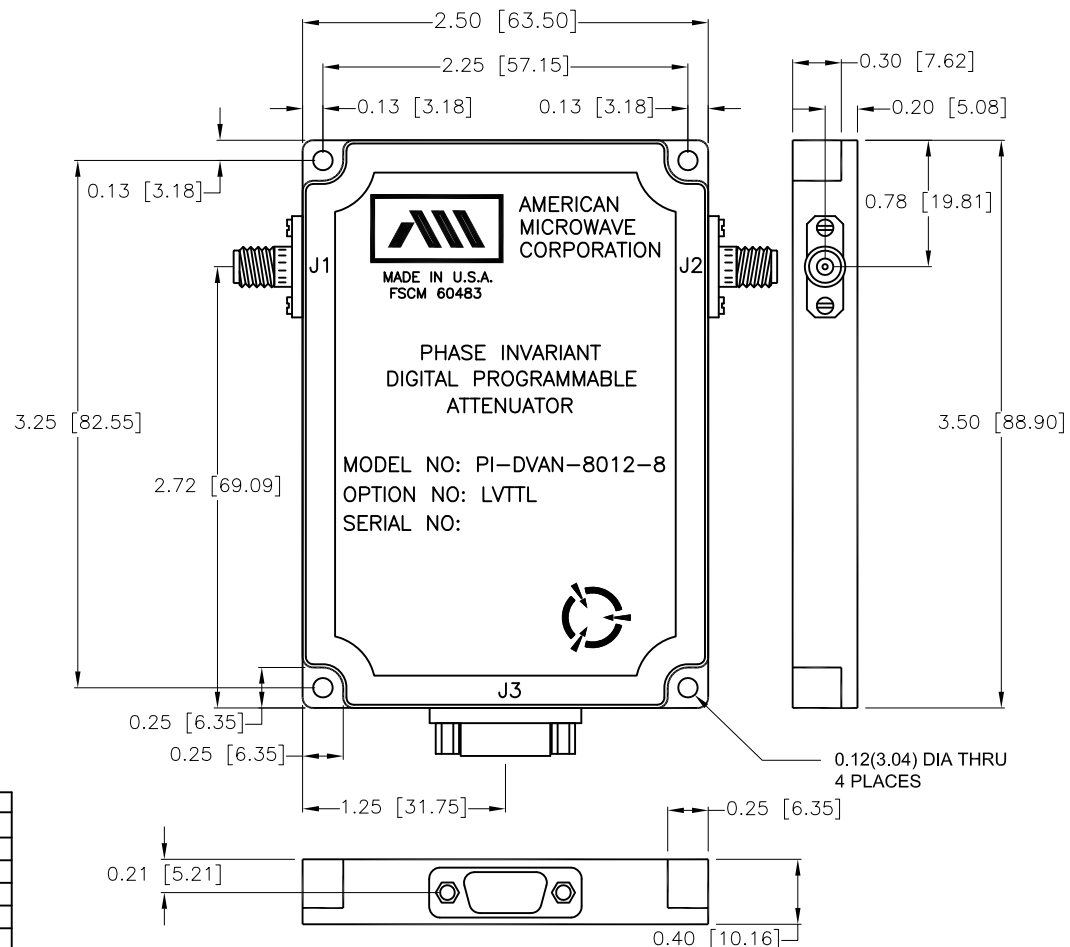


REVISIONS				
ZONE	REV.	DESCRIPTION	DATE	APPROVED
	A	SEE ER# 070-11	11/9/11	Rd

SPECIFICATIONS:

- FREQUENCY RANGE: 8 - 12GHz
- ATTENUATION RANGE: 50dB MINIMUM
- INSERTION LOSS: 7dB MAXIMUM
- RETURN LOSS: 2.0:1 MAXIMUM
- ATTENUATION ACCURACY: ±0.9dB MAXIMUM
- ATTENUATION FLATNESS: 0 TO 30dB: ±0.9dB MAXIMUM
 >30dB TO 40dB: ±1.3dB MAXIMUM
 >40dB TO 50dB: ±TBD MAXIMUM
- PHASE: 0 TO 30dB: ±5° MAXIMUM
 >30dB TO 40dB: ±9° MAXIMUM
 >40dB TO 50dB: ±TBD° MAXIMUM
- SWITCHING TIME: 250nSec MAXIMUM
 (DIGITAL DELAY PLUS RF ENVELOPE RISE/FALL TIME)
- SETUP TIME: 45nSec MINIMUM
 (RISING TTL CLOCK EDGE)
- RF INPUT POWER (OPERATING): +20dBm MAXIMUM
- RF INPUT POWER (SURVIVAL): +27dBm MAXIMUM
- ATTENUATION CONTROL BITS: 9 BIT MINIMUM
 (POSTIVE BINARY DIGITAL TTL WITH CTL CLOCK LATCH)
- ATTENUATION LSB STEPS: 0.1dB STEP MINIMUM
- TEMPERATURE VARIATION: ±0.9dB MAXIMUM
- SPURIOUS SIGNALS: -130dBm MAXIMUM
- POWER SUPPLY: +15VDC @ 300mA MAXIMUM



DIMENSIONS ARE IN INCHES(MM)

PIN OUT FOR J3	
PIN NUMBER	FUNCTION
1	B0
2	B1
3	B2
4	B3
5	B4
6	B5
7	B6
8	B7
9	B8
10	GND
11	GND
12	GND
13	CLOCK
14	+V
15	GND

ENVIRONMENTAL RATINGS:

- TEMPERATURE: 0°C TO +85°C (OPERATING)
 -65°C TO +125°C (STORAGE)
- HUMIDITY: MIL-STD-202F, METHOD 103B COND. B
- SHOCK: MIL-STD-202F, METHOD 213B COND. B
- VIBRATION: MIL-STD-202F, METHOD 204D COND. B
- ALTITUDE: MIL-STD-202F, METHOD 105C COND. B
- TEMPERATURE CYCLE: MIL-STD-202F, METHOD 107D COND. A

NOTE: SPECIFICATIONS WILL VARY OVER OPERATING TEMPERATURE
 NOTE: THE ABOVE SPECIFICATIONS ARE SUBJECT TO CHANGE OR REVISION

* Units are designed to meet Environmental ratings but not tested. If Environmental Testing is required, please contact Sales Department.

ALL DIMENSIONS ARE IN INCHES
 TOLERANCES:
 X.XX ±0.03
 X.XXX ±0.010

AMERICAN MICROWAVE CORPORATION

7311-G GROVE ROAD
 FREDERICK, MARYLAND 21704 USA
 TEL: 301-662-4700 FAX: 301-662-4938
 WEBSITE: www.americammicrowavecorp.com
 E-MAIL: sales@americammicrowavecorp.com
 ISO 9001:2000 CERTIFIED



APPROVALS		DATE	TITLE		
DRAWN	K JPMMP	11/9/11	PRODUCT FEATURE PI-DVAN-8012-8 OPTION LVTTL		
ENG	Rd	11/9/11	SIZE	FSCM NO.	DWG NO.
QAE	K JPMMP	11/9/11	A	60483	100-8145
			SCALE	SHEET 1 OF 1	
			N:S		