



**SWITCHED
FILTER BANKS**

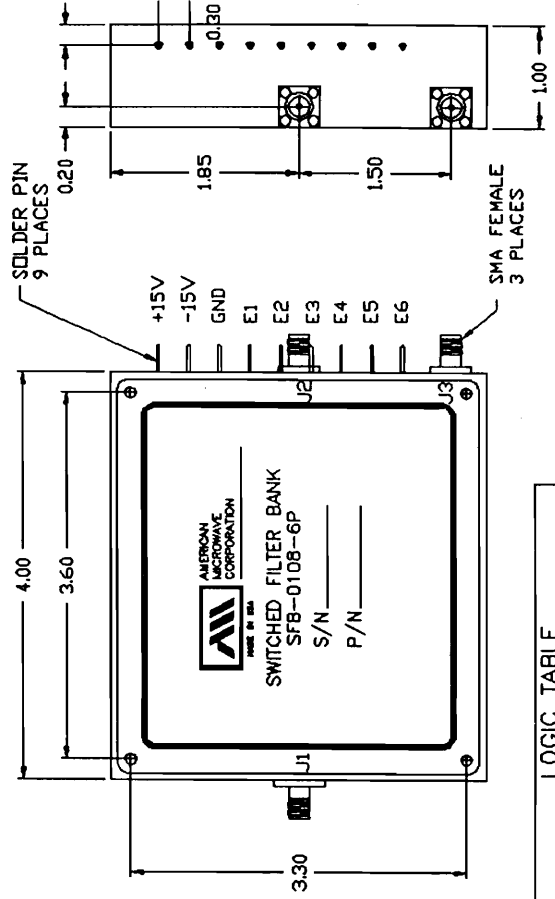
**NEW
PRODUCT DEVELOPMENTS
AT
AMERICAN MICROWAVE CORPORATION
NOVEMBER 22, 1992**

TABLE OF CONTENTS

1.0	SP6T, 0.01-8 GHz SWITCHED FILTER BANK	1-2
-----	---	-----

ZONE	REV.	DESCRIPTION	DATE	APP.
A		ORIGINAL RELEASE	11/10/92	M

MECHANICAL OUTLINE



- NOTES:
- 1) DIMENSIONS ARE IN INCHES
 - 2) TOLERANCES: X.XX ±0.0; X.XXX ±0.0
 - 3) WEIGHT: APPROX. 16

E1=0	J1-J2	0.01-0.5 GHz
E2=0	J1-J2	0.45-0.9 GHz
E3=0	J1-J2	0.8-1.5 GHz
E4=0	J1-J2	1.4-2.7 GHz
E5=0	J1-J2	2.2-4.3 GHz
E6=0	J1-J3	3.8-7.5 GHz

ENVIRONMENTAL RATINGS

- TEMPERATURE -55°C TO +95°C (OPERATING)
-65°C TO +125°C (STORAGE)
- HUMIDITY MIL-STD-202F, METHOD 103B CON
- SHOCK MIL-STD-202F, METHOD 213B CON
- VIBRATION MIL-STD-202F, METHOD 204D CON
- ALTITUDE MIL-STD-202F, METHOD 105C CON
- TEMPERATURE CYCLE MIL-STD-202F, METHOD 107D CON



AMERICAN MICROWAVE CORPORATION
 7311G GROVE RD., FREDERICK, MD. 21701
 TEL: (301) 662-4700 FAX: (301) 662-4938

PRODUCT FEATURE
SFB-0108-6P
 0.01-8 GHz, SWITCHED FILTER

APPROVALS	DATE
<i>WSP</i>	11/10/92
<i>A. M. ...</i>	11/22/92

SIZE A SHEET 1 OF 2 DWG. # 100-2

DESCRIPTION

AMC MODEL SFB-0108-6P IS A 6 CHANNEL SWITCHED FILTER BANK WITH INTEGRAL TTL DRIVER.

SPECIFICATIONS

- FREQUENCY RANGE 0.01-8 GHz
- INSERTION LOSS
 CHANNEL 1 0.01-0.5 GHz, 3.0dB MAXIMUM
 CHANNEL 2 0.45-0.9 GHz, 3.3dB MAXIMUM
 CHANNEL 3 0.8-1.5 GHz, 3.6dB MAXIMUM
 CHANNEL 4 1.4-2.7 GHz, 3.8dB MAXIMUM
 CHANNEL 5 2.2-4.3 GHz, 4.0dB MAXIMUM
 CHANNEL 6 3.8-7.5 GHz, 5.0dB MAXIMUM
 NOTE: (DIFFERENT FREQUENCY BANDS AVAILABLE; CONSULT FACTORY)

- ISOLATION 60 dB MINIMUM
- VSWR (ON) 2:1 MAXIMUM
- SWITCHING TIME
 DELAY ON (50% TTL TO 90% RF) 500ns MAXIMUM
 DELAY OFF (50% TTL TO 10% RF) 500ns MAXIMUM
- CONTROL TTL COMPATIBLE, UNITY LOAD
 6 INDIVIDUAL CONTROLS
 LOGIC "0" INSERTION LOSS
 LOGIC "1" ISOLATION
- RF POWER RATINGS +27dBm CW MAXIMUM

- POWER SUPPLY +12VDC @ 100mA MAXIMUM
 -12VDC @ 250mA MAXIMUM

- CONNECTORS
 RF INPUT/OUTPUT SMA FEMALE
 POWER SOLDER PIN
 CONTROL SOLDER PIN

- SIZE 4.0" x 3.3" x 1.0"

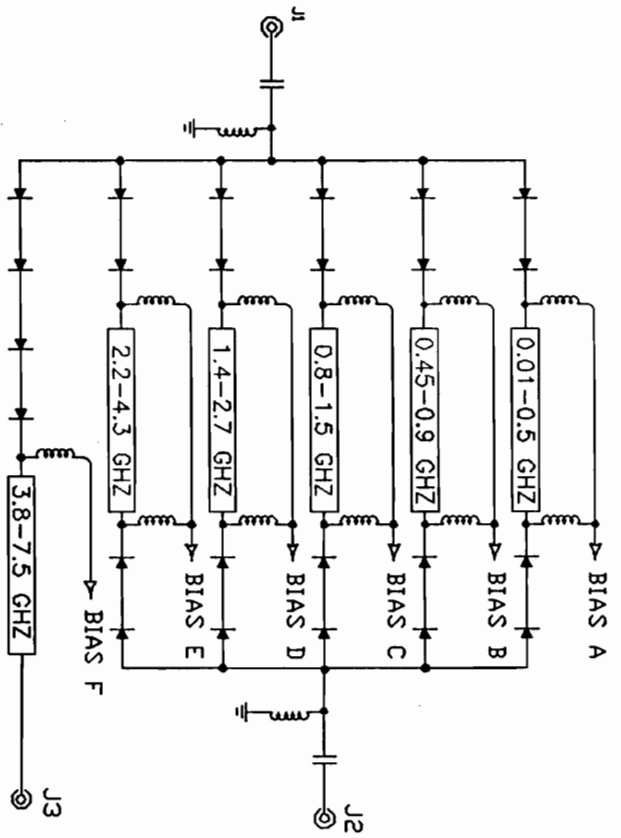
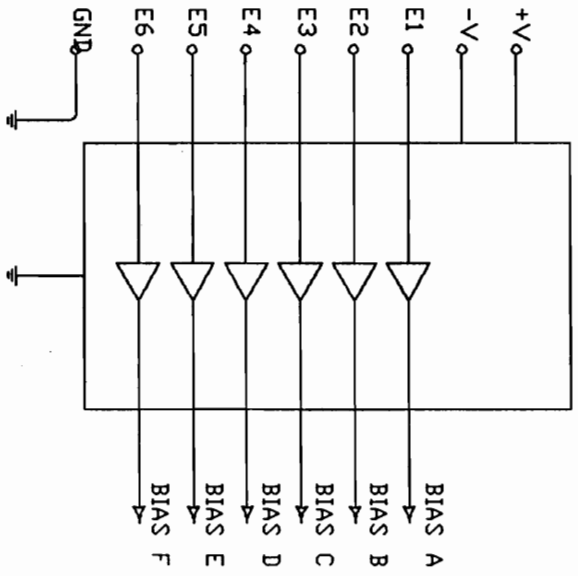
AVAILABLE OPTIONS

- A13 ±15 VOLT DC SUPPLY
- A14 J1 SMA MALE, J2 & J3 SMA FEMALE
- A15 J1 SMA FEMALE, J2 & J3 SMA MALE
- A19 SMC CONTROL TERMINALS
- A20 MULTIPIN OPTION
- A21 3 BIT DECODER OPTION

TTL DRIVER

FUNCTIONAL SCHEMATIC

RF SECTION



AMERICAN MICROWAVE CORPORATION
 7311G GROVE RD., FREDERICK, MD. 21701
 TEL: (301) 662-4700 FAX: (301) 662-4938

APPROVALS
 DATED 11/10/82
 CHECKED

SIZE A SHEET 2 OF 2 DWG. # 100-2806

PRODUCT FEATURE
SFB-0108-6P
 0.01-8 GHz, SWITCHED FILTER



AMERICAN MICROWAVE CORPORATION

7311-G GROVE ROAD, FREDERICK, MD 21701 •USA•

TEL: (301) 662-4700, FAX: (301) 662-4938