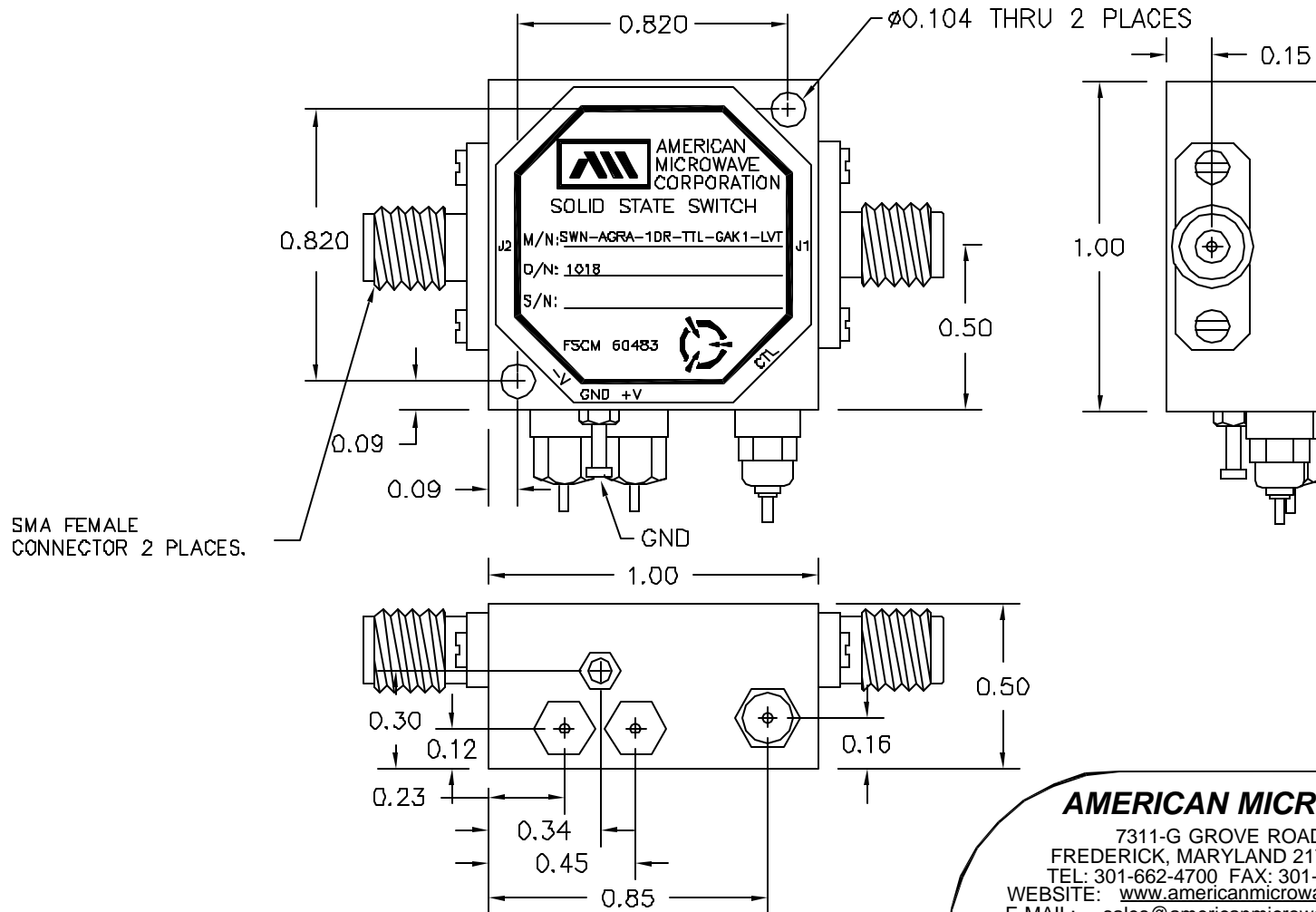




## DESCRIPTION

AMC MODEL SWN-AGRA-1DR-TTL-GAK1-LVT IS A 10 TO 18 GHz SINGLE POLE SINGLE THROW SWITCH HAVING AN INSERTION LOSS OF 2.5 dB MAXIMUM, AN ISOLATION OF 80 dB MINIMUM, AND VSWR OF 2.0:1 MAXIMUM. THE SIZE IS 1.00" x 1.00" x 0.50". THE WEIGHT IS 1.5oz.

## MECHANICAL OUTLINE



ALL DIMENSIONS ARE IN INCHES  
TOLERANCES:  
X.XX ±0.020  
X.XXX ±0.010

REVISIONS				
ZONE	REV.	DESCRIPTION	DATE	APPROVED
	-	ORIGINAL RELEASE	2/14/05	

## AMERICAN MICROWAVE CORPORATION

7311-G GROVE ROAD  
FREDERICK, MARYLAND 21704 USA  
TEL: 301-662-4700 FAX: 301-662-4938  
WEBSITE: [www.americanmicrowavecorp.com](http://www.americanmicrowavecorp.com)  
E-MAIL: [sales@americanmicrowavecorp.com](mailto:sales@americanmicrowavecorp.com)  
ISO 9001:2000 CERTIFIED



APPROVALS		DATE	TITLE
DRAWN <i>[Signature]</i>		2/14/05	MECHANICAL OUTLINE SWN-AGRA-1DR-TTL-GAK1-LVT OPTION 1018
CHECKED			10 TO 18 GHz SINGLE POLE SINGLE THROW SWITCH
ISSUED			SIZE FSCM NO. DWG NO. A 60483 100-7339
SCALE N:S			SHEET 2 OF 3