

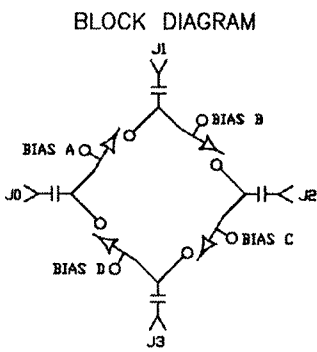
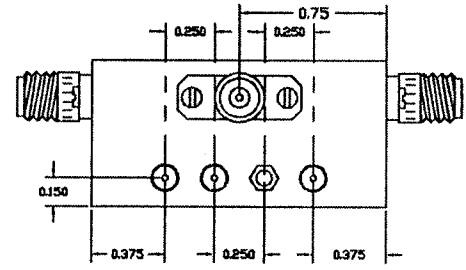
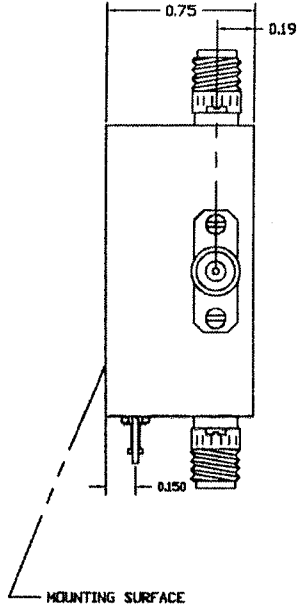
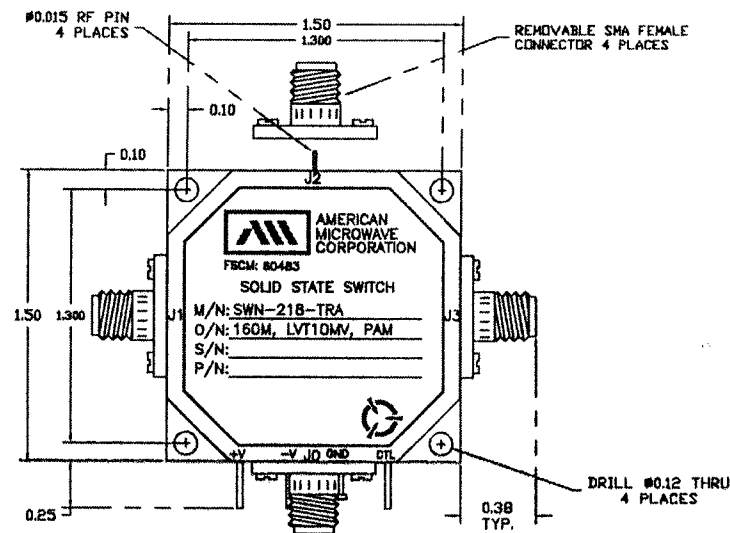
DESCRIPTION:

AMC MODEL SWN-218-TRA OPTIONS 160M, LVT10MV, PAM IS A TRANSFER SWITCH MODULE WITH LOW INSERTION LOSS, ULTRA HIGH SPEED, VERY LOW VIDEO TRANSIENT, HIGH ISOLATION AND WITH INTEGRAL TTL DRIVER DESIGNED FOR 160 MHz \pm 25 MHz OPERATION.

SPECIFICATIONS:

- FREQUENCY: 160 MHz \pm 25 MHz
- INSERTION LOSS: 1.0 dB MAXIMUM
- ISOLATION: 50 dB MINIMUM
- VSWR: 1.6:1 INPUT AND OUTPUT
- AMPLITUDE BALANCE: +0.2 dB
- PHASE BALANCE: +3 DEG.
- P1dB: +20 dBm MINIMUM
- IP3: +35 dBm MINIMUM
- LOGIC: SEE LOGIC TABLE BELOW
- RISE/FALL TIME: 300 nsec MAXIMUM
(10% RF TO 90% RF)
(90% RF TO 10% RF)
- VIDEO TRANSIENTS: 10 mV PEAK TO PEAK OVER 50 MHz BW
- POWER SUPPLY: +12V @ 75 mA MAXIMUM
..... -12V @ 75 mA MAXIMUM
- SIZE: 1.5" (L) x 1.5" (W) x 0.75" (H)
- WEIGHT: 2.0 OUNCE TYPICAL

REVISIONS			
ZONE	REV.	DESCRIPTION	DATE
-	-	ORIGINAL JOB # 005104E	08/07/00



TTL LOGIC	LOW LOSS PATH	ISOLATED PATH
0	J0-J1 J2-J3	J0-J3 J1-J2
1	J0-J3 J1-J2	J0-J1 J2-J3

M/N = MANUFACTURER PART NUMBER
O/N = OPTION NUMBER
S/N = SERIAL NUMBER

ENVIRONMENTAL RATINGS

- TEMPERATURE: -65°C TO +85°C (OPERATING)
..... -65°C TO +125°C (STORAGE)
- HUMIDITY: MIL-STD-202F, METHOD 103B COND. B
- SHOCK: MIL-STD-202F, METHOD 213B COND. B
- VIBRATION: MIL-STD-202F, METHOD 204D COND. B
- ALTITUDE: MIL-STD-202F, METHOD 105C COND. B
- TEMPERATURE CYCLE: MIL-STD-202F, METHOD 107D COND. A

ALL DIMENSIONS ARE IN INCHES
TOLERANCES:
X.XX \pm 0.020
X.XXX \pm 0.010

CONFIDENTIAL AND PROPRIETARY

APPROVALS		DATE	AMERICAN MICROWAVE CORPORATION FREDERICK, MARYLAND	
DRAWN	W309	08/07/00	TITLE PRODUCT FEATURE SWN-218-TRA OPTIONS: 160M, LVT10MV, PAM	
CHECKED	LA	9/28/00	SIZE	FSCM NO.
ISSUED	WJP	9/28/00	A	60483
			DWG NO.	100-5614-1
			SCALE	N/S
			REV. -	
			SHEET 1 of 3	

NOTE: THE ABOVE SPECIFICATIONS ARE SUBJECT TO CHANGE OR REVISION