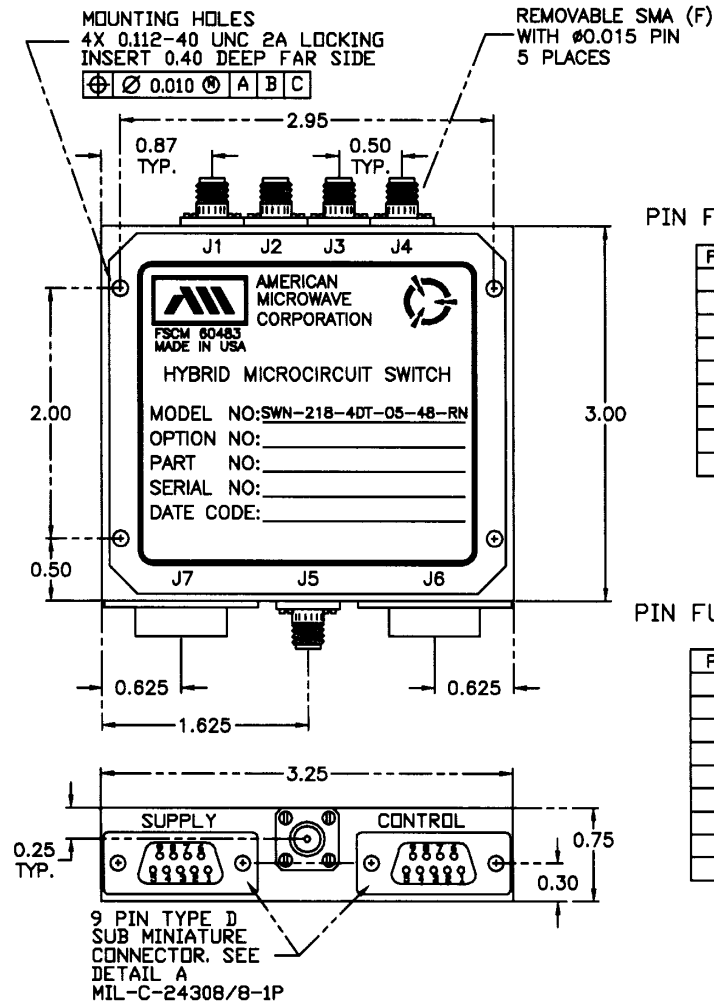


SPECIFICATIONS: (SINGLE POLE FOUR THROW NON-REFLECTIVE SWITCH WITH INTEGRATED DRIVER)

REVISIONS				
ZONE	REV.	DESCRIPTION	DATE	APPROVED
	A	RAYTHEON COMPANY MA.	11/9/97	

- FREQUENCY: 4 GHz TO 8 GHz
 - INSERTION LOSS: 1.8 dB MAXIMUM
 - ISOLATION: 60 dB MINIMUM
 - INPUT/OUTPUT VSWR: 2.0:1 MAXIMUM ALL PORTS ANY SWITCH POSITION
 - SWITCHING TIME: 750 ns MAXIMUM, 50% LOGIC TO 90% RF
 - CONDUCTIVE AND RADIATED RF LEAKAGE FROM BIAS AND CONTROL PORTS -80 dBc MAXIMUM
 - HARMONIC CONTENT: -65 dBc MAXIMUM @ +10 dBm
 - RESIDUAL PHASE NOISE: GOAL
- | OFFSET FREQUENCY | MAXIMUM PHASE NOISE |
|-------------------|---------------------|
| 100 Hz | -155 dBc/Hz |
| 1 KHz | -165 dBc/Hz |
| 10 KHz | -175 dBc/Hz |
| 100 TO 10,000 KHz | -178 dBc/Hz |
- OPERATING TEMPERATURE: -55°C TO +85°C
 - STORAGE TEMPERATURE: -65°C TO +110°C
 - INPUT / OUTPUT RF CONNECTORS SMA FEMALE
 - INPUT SIGNAL POWER: +20 dBm MAXIMUM WITHOUT PERFORMANCE DEGRADATION, 1 WATT AVERAGE SURVIVAL
 - DRIVER BIAS VOLTAGE: +5 VDC ±0.25 VDC @ 0.5A MAXIMUM
-5.2 VDC ±0.25 VDC @ 0.18A MAXIMUM
 - TTL VOLTAGE: OPTOCOUPLED IN ACCORDANCE WITH 5962-8876801PC OR 5962-887-6901PC. OFF EQUALS NO CURRENT ON EQUALS 10 mA CURRENT
 - PACKAGE SIZE: 3.25" x 3.00" x 0.75"
 - DC LINE CONNECTOR: 9 PIN RECTANGULAR D SUBMINIATURE CONNECTOR IN ACCORDANCE WITH MIL-C24308/8-1P
 - LOGIC LINE CONNECTOR: 9 PIN RECTANGULAR D SUBMINIATURE CONNECTOR IN ACCORDANCE WITH MIL-C24308/8-1P
 - DC FILTERING: TOROID IN ACCORDANCE WITH 11473367-002. THE WINDINGS ON ONE SIDE OF THE TOROID MUST BE WOUND IN THE OPPOSITE DIRECTION OF THE WINDINGS ON THE OTHER SIDE. EACH WINDING SHALL CONSIST OF 20 TURNS OF OF 22 GAUGE WIRE. ONE FILTER FOR THE +5V LINE AND ITS RETURN ONE FILTER FOR THE -5.2V LINE AND ITS RETURN THE FILTERS SHALL BE INDIVIDUALLY ENCLOSED TO PREVENT CROSS TALK BETWEEN THE TWO FILTERS

MECHANICAL OUTLINE



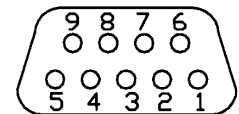
PIN FUNCTION TABLE (SUPPLY)

PIN NO.	PIN FUNCTION
1	+5V
2	+5.0V RET
3	GND
4	-5.2V
5	-5.2V RET
6	+5.0V GND
7	GND
8	GND
9	-5.2V GND

PIN FUNCTION TABLE (CONTROL)

PIN NO.	FUNCTION
1	+1
2	-1
3	-2
4	+2
5	+3
6	-3
7	-4
8	+4
9	GND

DETAIL A



ENVIRONMENTAL RATINGS:

- TEMPERATURE: -55°C TO +85°C (OPERATING)
-65°C TO +125°C (STORAGE)
- HUMIDITY: MIL-STD-202F, METHOD 103B COND. B
- SHOCK: MIL-STD-202F, METHOD 213B COND. B
- VIBRATION: MIL-STD-202F, METHOD 204D COND. B
- ALTITUDE: MIL-STD-202F, METHOD 105C COND. B
- TEMPERATURE CYCLE: MIL-STD-202F, METHOD 107D COND. A

ALL DIMENSIONS ARE IN INCHES
TOLERANCES:
X.XX ±0.020
X.XXX ±0.010

NOTE: THE ABOVE SPECIFICATIONS ARE SUBJECT TO CHANGE OR REVISION

PART NO.		AMERICAN MICROWAVE CORPORATION FREDERICK, MARYLAND		
APPROVALS	DATE	TITLE		
DRAWN	11/9/97	OUTLINE DRAWING SWN-218-4DT-05-48-RN NON-REFLECTIVE/ABSORPTIVE SWITCH NOISE IMMUNE WITH OPTOCOUPLEDERS		
CHECKED		SIZE	FSCM NO.	REV.
ISSUED		A	60483	A
		SCALE	DWG NO.	SHEET
			100-4257	1 of 1