

## DESCRIPTION

AMC MODEL SWN-218-2DR-STANDARD OPTIONS: B02, B06, HPR10W, 250M3 IS A REFLECTIVE SINGLE POLE TWO THROW SWITCH DESIGNED FOR HIGH POWER APPLICATIONS BETWEEN A 250 MHz TO 3 GHz FREQUENCY RANGE.

## SPECIFICATIONS

- FREQUENCY RANGE: ..... 250 MHz TO 3 GHz
- INSERTION LOSS: ..... 1.5 dB MAXIMUM
- ISOLATION: ..... 60 dB MINIMUM
- VSWR: ..... 2.0:1
- RISE TIME: ..... 60 nSec MAXIMUM
- FALL TIME: ..... 60 nSec MAXIMUM
- DELAY ON: ..... 125 nSec MAXIMUM
- DELAY OFF: ..... 125 nSec MAXIMUM
- RF POWER: ..... +40 dBm MAXIMUM
- CONTROL: ..... TTL SINGLE CONTROL  
 LOGIC "0" = J1 TO J2 ON  
 LOGIC "1" = J1 TO J3 ON
- POWER SUPPLY: ..... +5V @ 100 mA MAXIMUM  
 -15V @ 75 mA MAXIMUM
- CONNECTORS:  
 RF: ..... SMA FEMALE  
 POWER: ..... SOLDER PIN  
 CONTROL: ..... SOLDER PIN
- SIZE: ..... 1.20" (L) x 1.00" (W) x 0.50" (H)
- WEIGHT: ..... 1.5 OUNCE TYPICAL

## OPTIONS:

- B02: ..... -15V POWER SUPPLY
- B06: ..... HIGH POWER
- HPR10W: ..... POWER HANDLING OF 10 WATTS
- 250M3: ..... 250 MHz TO 3 GHz FREQUENCY RANGE

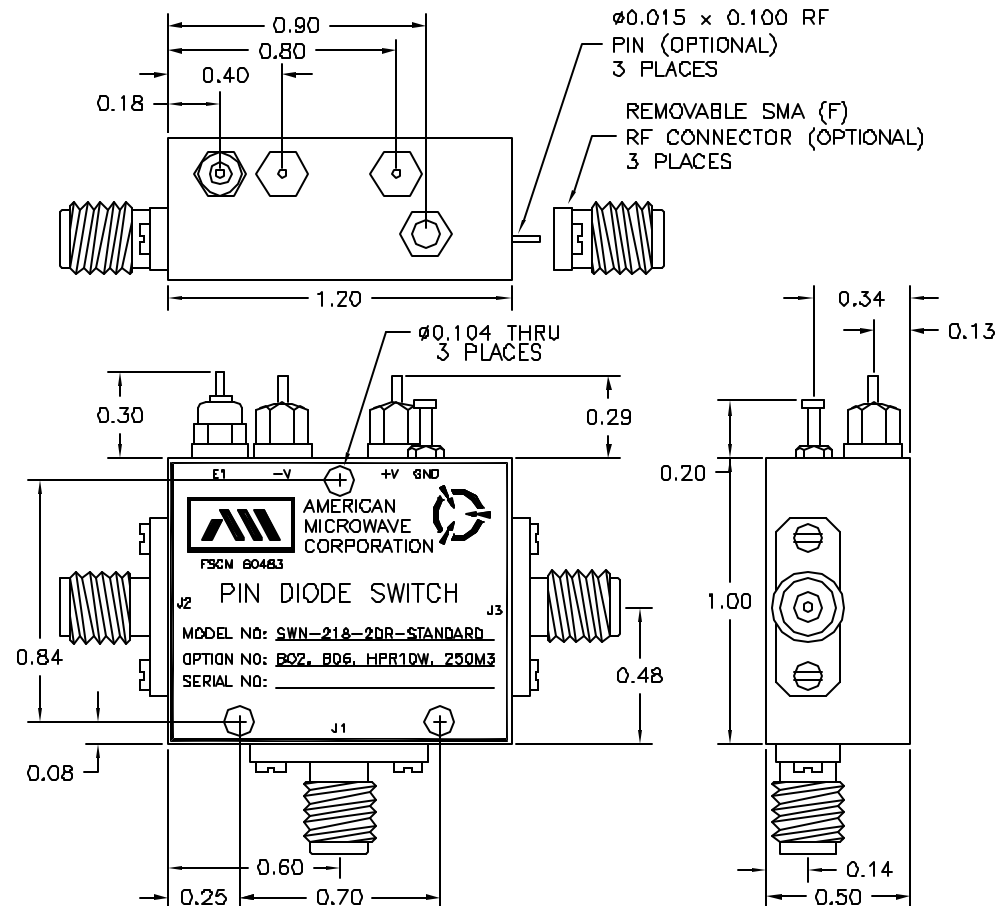
## ENVIRONMENTAL RATINGS:

- TEMPERATURE: ..... -55°C TO +85°C (OPERATING)  
 -65°C TO +125°C (STORAGE)
- HUMIDITY: ..... MIL-STD-202F, METHOD 103B COND. B
- SHOCK: ..... MIL-STD-202F, METHOD 213B COND. B
- VIBRATION: ..... MIL-STD-202F, METHOD 204D COND. B
- ALTITUDE: ..... MIL-STD-202F, METHOD 105C COND. B
- TEMPERATURE CYCLE: ..... MIL-STD-202F, METHOD 107D COND. A

NOTE: SPECIFICATIONS WILL VARY OVER OPERATING TEMPERATURE  
 NOTE: THE ABOVE SPECIFICATIONS ARE SUBJECT TO CHANGE OR REVISION

ALL DIMENSIONS ARE IN INCHES  
 TOLERANCES:  
 .XXX ±0.020  
 .XXX ±0.010

REVISIONS				
ZONE	REV.	DESCRIPTION	DATE	APPROVED
	-	ORIGINAL RELEASE JOB# 602035N	4/12/06	



## AMERICAN MICROWAVE CORPORATION

7311-G GROVE ROAD  
 FREDERICK, MARYLAND 21704 USA  
 TEL: 301-662-4700 FAX: 301-662-4938  
 WEBSITE: [www.americanmicrowavecorp.com](http://www.americanmicrowavecorp.com)  
 E-MAIL: [sales@americanmicrowavecorp.com](mailto:sales@americanmicrowavecorp.com)  
 ISO 9001:2000 CERTIFIED

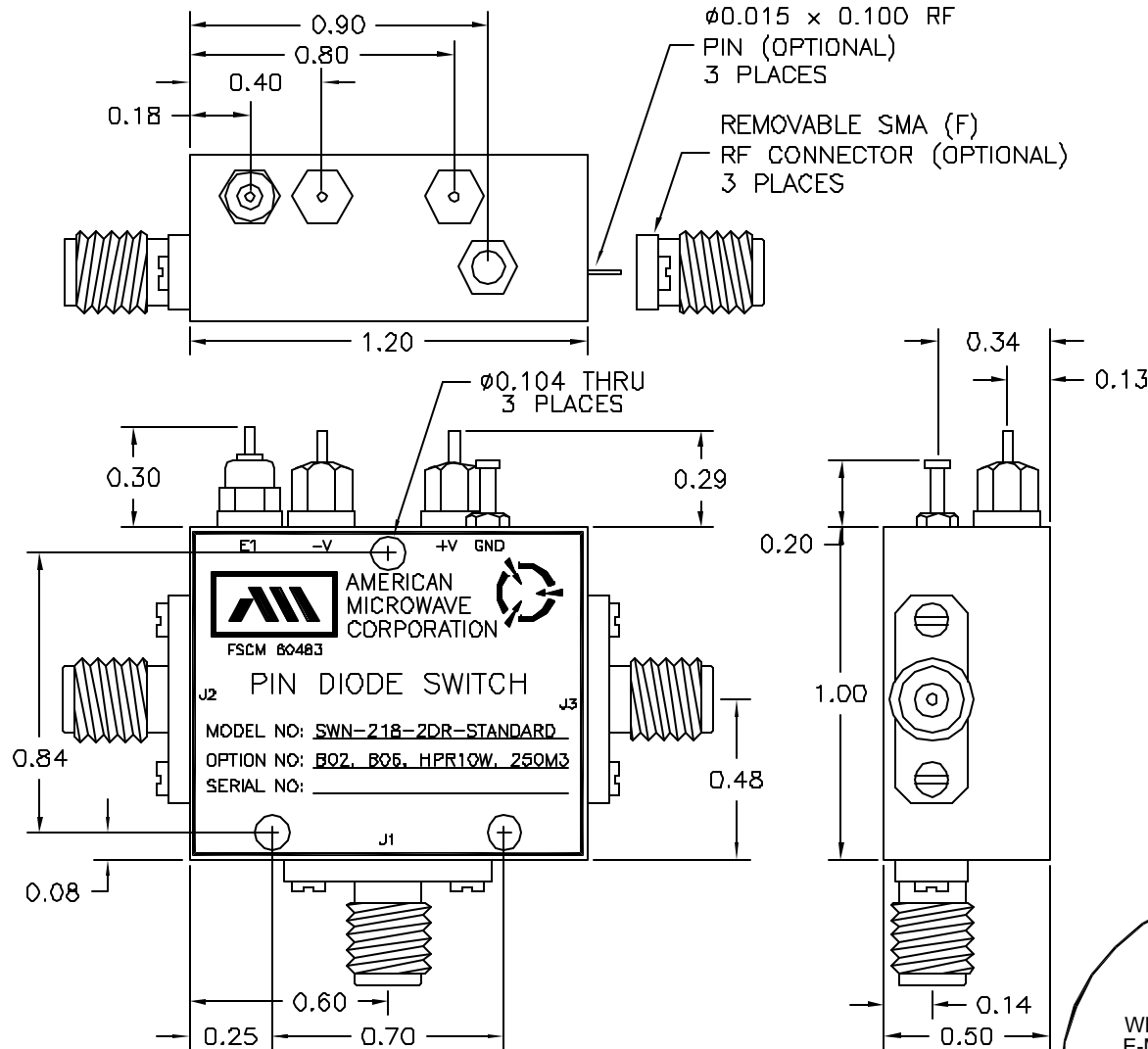


APPROVALS		DATE	TITLE		REV.
DRAWN	JDJ	4/12/06	PRODUCT FEATURE SWN-218-2DR-STANDARD		
CHECKED			OPTION: B02, B06, HPR10W, 250M3 250 MHz-3 GHz, SINGLE POLE TWO THROW SWITCH		
ISSUED			SIZE	FSCN NO.	DWG NO.
			A	60483	100-7638
SCALE N:S			SHEET		1 OF 4

## DESCRIPTION

AMC MODEL SWN-218-2DR-STANDARD OPTIONS: B02, B06, HPR10W, 250M3 IS A REFLECTIVE SINGLE POLE TWO THROW SWITCH DESIGNED FOR HIGH POWER APPLICATIONS BETWEEN A 250 MHz TO 3 GHz FREQUENCY RANGE.

REVISIONS				
ZONE	REV.	DESCRIPTION	DATE	APPROVED
	-	ORIGINAL RELEASE JOB# 602035N	4/12/06	



## MECHANICAL OUTLINE

### AMERICAN MICROWAVE CORPORATION

7311-G GROVE ROAD  
 FREDERICK, MARYLAND 21704 USA  
 TEL: 301-662-4700 FAX: 301-662-4938  
 WEBSITE: [www.americanmicrowavecorp.com](http://www.americanmicrowavecorp.com)  
 E-MAIL: [sales@americanmicrowavecorp.com](mailto:sales@americanmicrowavecorp.com)  
 ISO 9001:2000 CERTIFIED



ALL DIMENSIONS ARE IN INCHES  
 TOLERANCES:  
 X.XX ±0.020  
 X.XXX ±0.010

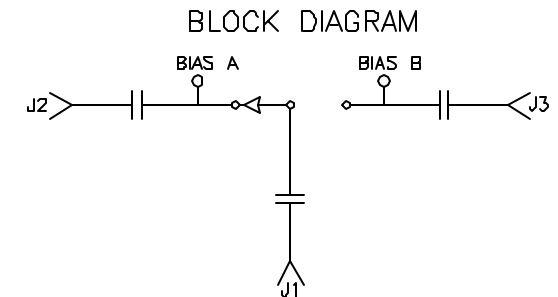
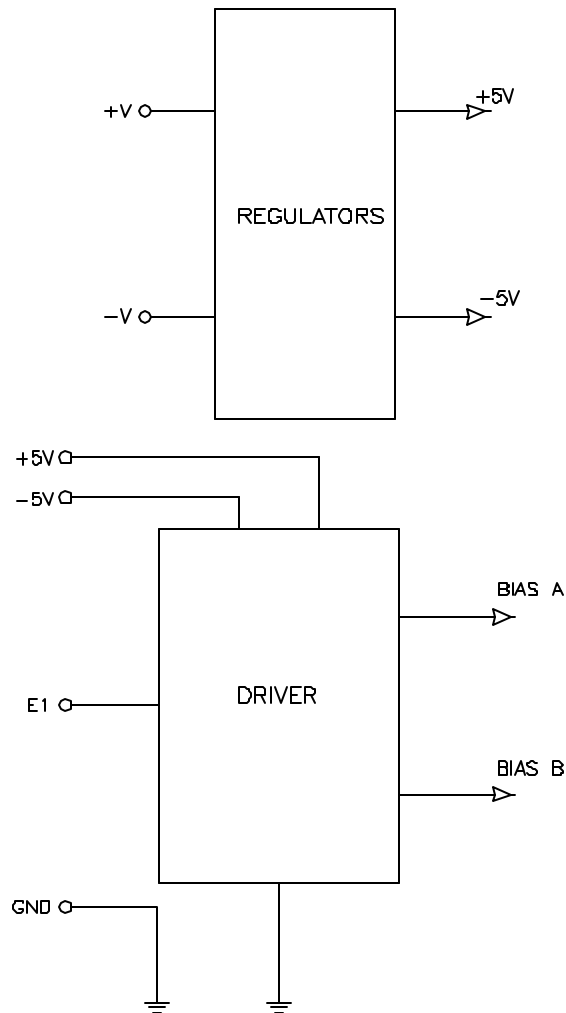
APPROVALS		DATE	TITLE	
DRAWN	<i>FDS</i>	4/12/06	MECHANICAL OUTLINE SWN-218-2DR-STANDARD OPTION: B02, B06, HPR10W, 250M3 250 MHz-3 GHz, SINGLE POLE TWO THROW SWITCH	
CHECKED			SIZE	REV.
ISSUED			A	-
			FSCM NO.	DWG NO.
			60483	100-7638
			SCALE N:S	SHEET 2 OF 4

## DESCRIPTION

AMC MODEL SWN-218-2DR-STANDARD OPTIONS: B02, B06, HPR10W, 250M3 IS A REFLECTIVE SINGLE POLE TWO THROW SWITCH DESIGNED FOR HIGH POWER APPLICATIONS BETWEEN A 250 MHz TO 3 GHz FREQUENCY RANGE.

REVISIONS				
ZONE	REV.	DESCRIPTION	DATE	APPROVED
	-	ORIGINAL RELEASE JOB# 602035N	4/12/06	

## FUNCTIONAL BLOCK DIAGRAM



## AMERICAN MICROWAVE CORPORATION

7311-G GROVE ROAD  
 FREDERICK, MARYLAND 21704 USA  
 TEL: 301-662-4700 FAX: 301-662-4938  
 WEBSITE: [www.americanmicrowavecorp.com](http://www.americanmicrowavecorp.com)  
 E-MAIL: [sales@americanmicrowavecorp.com](mailto:sales@americanmicrowavecorp.com)  
 ISO 9001:2000 CERTIFIED



APPROVALS		DATE	TITLE		
DRAWN	<i>FDF</i>	4/12/06	FUNCTIONAL BLOCK DIAGRAM SWN-218-2DR-STANDARD OPTION: B02, B06, HPR10W, 250M3 250 MHz-3 GHz, SINGLE POLE TWO THROW SWITCH		
CHECKED			SIZE	PSCH NO.	DWG NO.
ISSUED			A	60483	100-7638
			SCALE	N:S	SHEET 3 OF 4