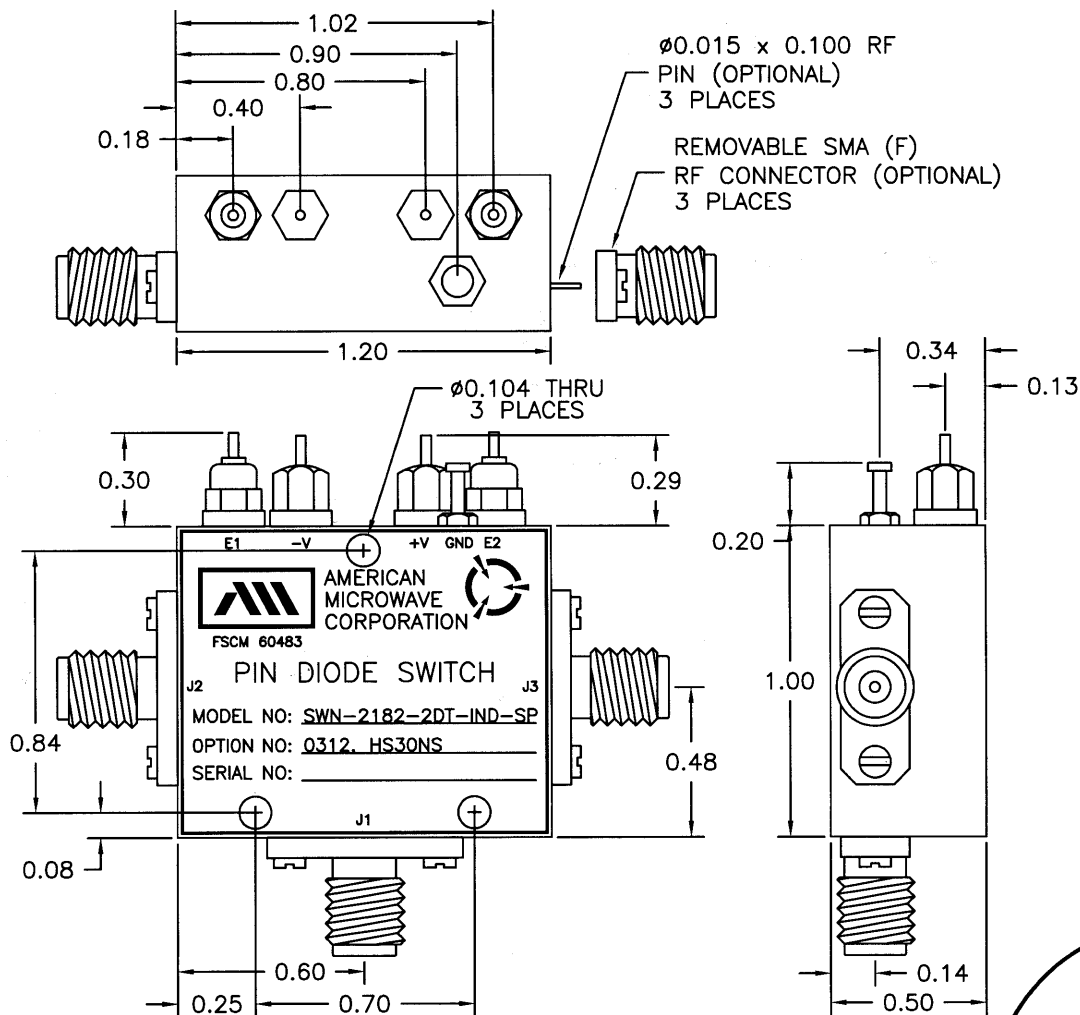


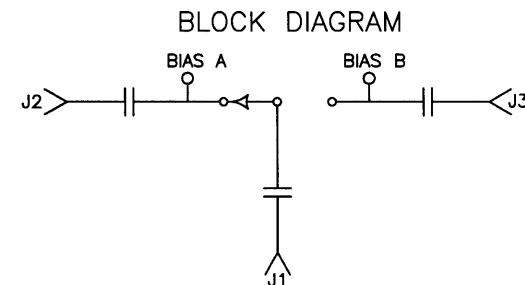
DESCRIPTION

AMC MODEL SWN-2182-2DT-IND-SP OPTION: 0312, HS30NS IS AN ABSORPTIVE/NON-REFLECTIVE SWITCH DESIGNED TO OPERATE OVER THE FULL 0.3 TO 12 GHz FREQUENCY RANGE WITH 30 nSec SWITCHING SPEED.

REVISIONS				
ZONE	REV.	DESCRIPTION	DATE	APPROVED
-	-	ORIGINAL RELEASE JOB# 411285	1/27/05	



MECHANICAL OUTLINE



AMERICAN MICROWAVE CORPORATION

7311-G GROVE ROAD
 FREDERICK, MARYLAND 21704 USA
 TEL: 301-662-4700 FAX: 301-662-4938
 WEBSITE: www.americanmicrowavecorp.com
 E-MAIL: sales@americanmicrowavecorp.com
 ISO 9001:2000 CERTIFIED



ALL DIMENSIONS ARE IN INCHES
 TOLERANCES:
 X.XX ±0.020
 X.XXX ±0.010

APPROVALS		DATE	TITLE		
DRAWN <i>JDJ</i>		1/27/05	MECHANICAL OUTLINE SWN-2182-2DT-IND-SP OPTION: 0312, HS30NS 0.3 - 12 GHz, SINGLE POLE TWO THROW SWITCH		
CHECKED			SIZE A	FSCM NO. 60483	DWG NO. 100-7311
ISSUED			SCALE N:S		REV. -
					SHEET 2 OF 3

DESCRIPTION

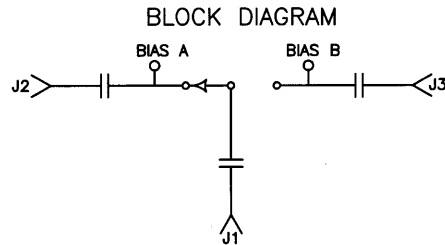
AMC MODEL SWN-2182-2DT-IND-SP OPTION: 0312, HS30NS IS AN ABSORPTIVE/NON-REFLECTIVE SWITCH DESIGNED TO OPERATE OVER THE FULL 0.3 TO 12 GHz FREQUENCY RANGE WITH 30 nSec SWITCHING SPEED.

SPECIFICATIONS

- FREQUENCY RANGE: 0.3 TO 12 GHz
- INSERTION LOSS: 3.0 dB MAXIMUM
- ISOLATION: 60 dB MINIMUM
- VSWR: 1.6:1
- DELAY ON: 30 nSec MAXIMUM
- DELAY OFF: 30 nSec MAXIMUM
- POWER INPUT: (CW)+20 dBm (STANDARD), +10 dBm (HIGH SPEED)
- SURVIVAL POWER: 1 WATT CW, 10 WATTS PEAK 1 uSec
- CONTROL: TTL LOGIC "0" = J1-J2 ON
TTL LOGIC "1" = J1-J3 ON
- POWER SUPPLY: +5V @ 100 mA MAXIMUM
-5V @ 100 mA MAXIMUM
- CONNECTORS:
RF: SMA FEMALE
CONTROL: SOLDER PIN
- SIZE: 1.20" (L) x 1.00" (W) x 0.50" (H)
- WEIGHT: 1.5 OUNCE TYPICAL

OPTIONS:

- 0312: 0.3 TO 12 GHz FREQUENCY RANGE
- HS30NS: 30 nSec SWITCHING SPEED



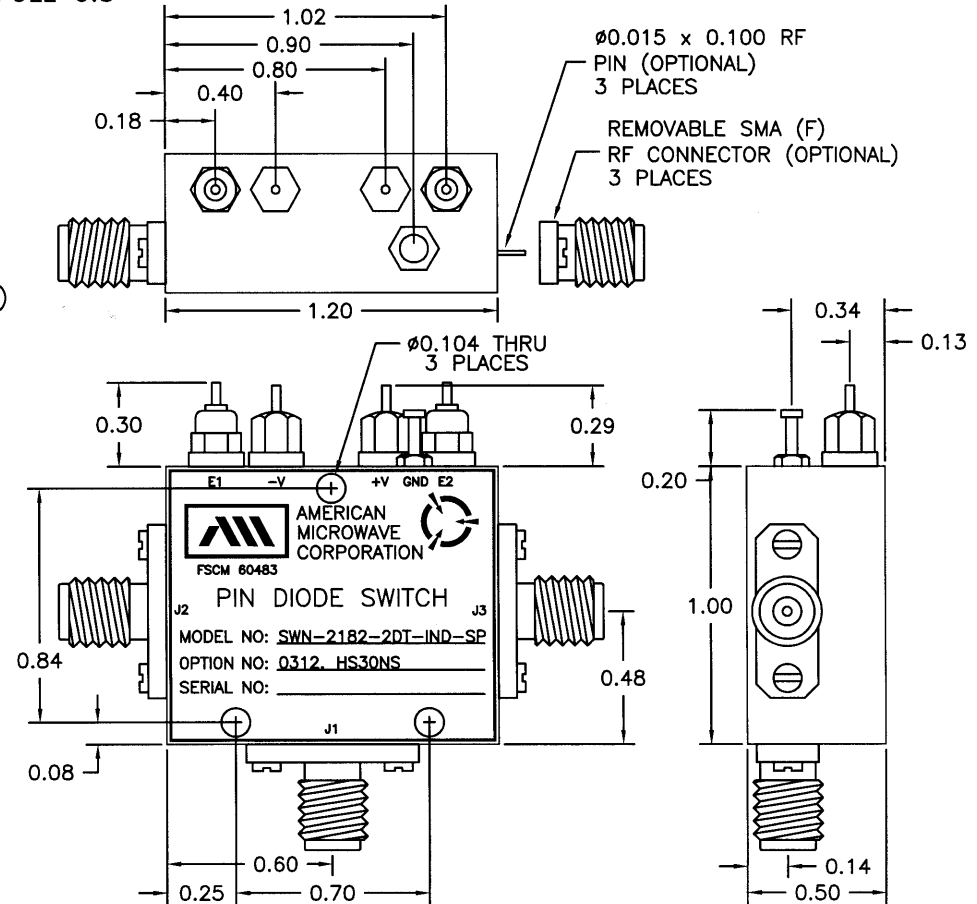
ENVIRONMENTAL RATINGS:

- TEMPERATURE: -55°C TO +85°C (OPERATING)
-65°C TO +125°C (STORAGE)
- HUMIDITY: MIL-STD-202F, METHOD 103B COND. B
- SHOCK: MIL-STD-202F, METHOD 213B COND. B
- VIBRATION: MIL-STD-202F, METHOD 204D COND. B
- ALTITUDE: MIL-STD-202F, METHOD 105C COND. B
- TEMPERATURE CYCLE: MIL-STD-202F, METHOD 107D COND. A

NOTE: SPECIFICATIONS WILL VARY OVER OPERATING TEMPERATURE
NOTE: THE ABOVE SPECIFICATIONS ARE SUBJECT TO CHANGE OR REVISION

ALL DIMENSIONS ARE IN INCHES
TOLERANCES:
X.XX ±0.020
X.XXX ±0.010

REVISIONS				
ZONE	REV.	DESCRIPTION	DATE	APPROVED
	-	ORIGINAL RELEASE JOB# 411285	1/27/05	



AMERICAN MICROWAVE CORPORATION

7311-G GROVE ROAD
FREDERICK, MARYLAND 21704 USA
TEL: 301-662-4700 FAX: 301-662-4938
WEBSITE: www.americanmicrowavecorp.com
E-MAIL: sales@americanmicrowavecorp.com
ISO 9001:2000 CERTIFIED



APPROVALS		DATE	TITLE		
DRAWN <i>JDJ</i>		1/27/05	PRODUCT FEATURE SWN-2182-2DT-IND-SP OPTION: 0312, HS30NS 0.3 - 12 GHz, SINGLE POLE TWO THROW SWITCH		
CHECKED			SIZE A	FSCM NO. 60483	DWG NO. 100-7311
ISSUED			SCALE N:S		SHEET 1 OF 3