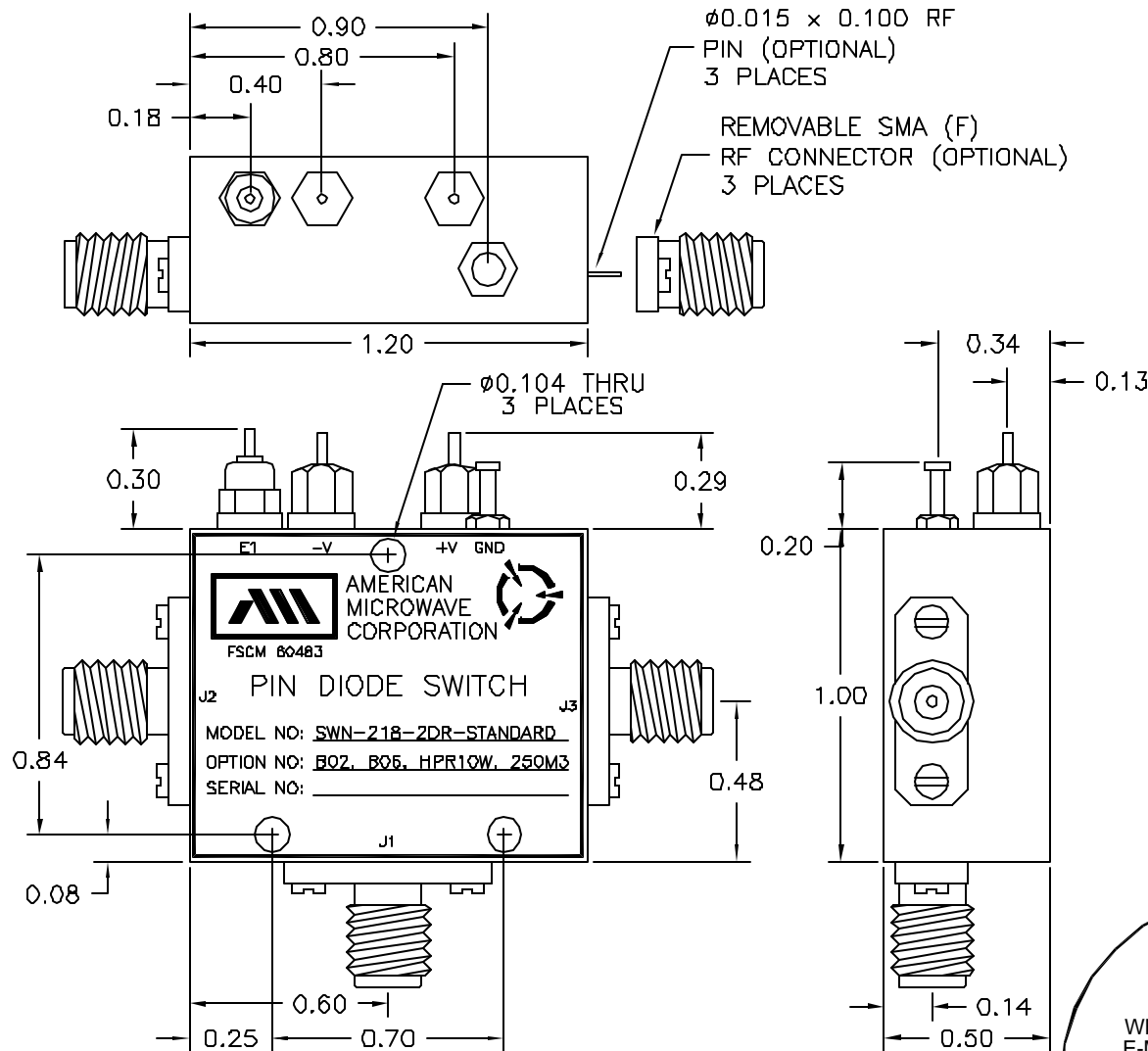


DESCRIPTION

AMC MODEL SWN-218-2DR-STANDARD OPTIONS: B02, B06, HPR10W, 250M3 IS A REFLECTIVE SINGLE POLE TWO THROW SWITCH DESIGNED FOR HIGH POWER APPLICATIONS BETWEEN A 250 MHz TO 3 GHz FREQUENCY RANGE.

REVISIONS				
ZONE	REV.	DESCRIPTION	DATE	APPROVED
	-	ORIGINAL RELEASE JOB# 602035N	4/12/06	



MECHANICAL OUTLINE

AMERICAN MICROWAVE CORPORATION

7311-G GROVE ROAD
 FREDERICK, MARYLAND 21704 USA
 TEL: 301-662-4700 FAX: 301-662-4938
 WEBSITE: www.americanmicrowavecorp.com
 E-MAIL: sales@americanmicrowavecorp.com
 ISO 9001:2000 CERTIFIED



ALL DIMENSIONS ARE IN INCHES
 TOLERANCES:
 X.XX ± 0.020
 X.XXX ± 0.010

APPROVALS		DATE	TITLE	
DRAWN	<i>FDS</i>	4/12/06	MECHANICAL OUTLINE SWN-218-2DR-STANDARD OPTION: B02, B06, HPR10W, 250M3 250 MHz-3 GHz, SINGLE POLE TWO THROW SWITCH	
CHECKED			SIZE	REV.
ISSUED			A	-
			FSCM NO.	DWG NO.
			60483	100-7638
			SCALE	SHEET
			N:S	2 OF 4

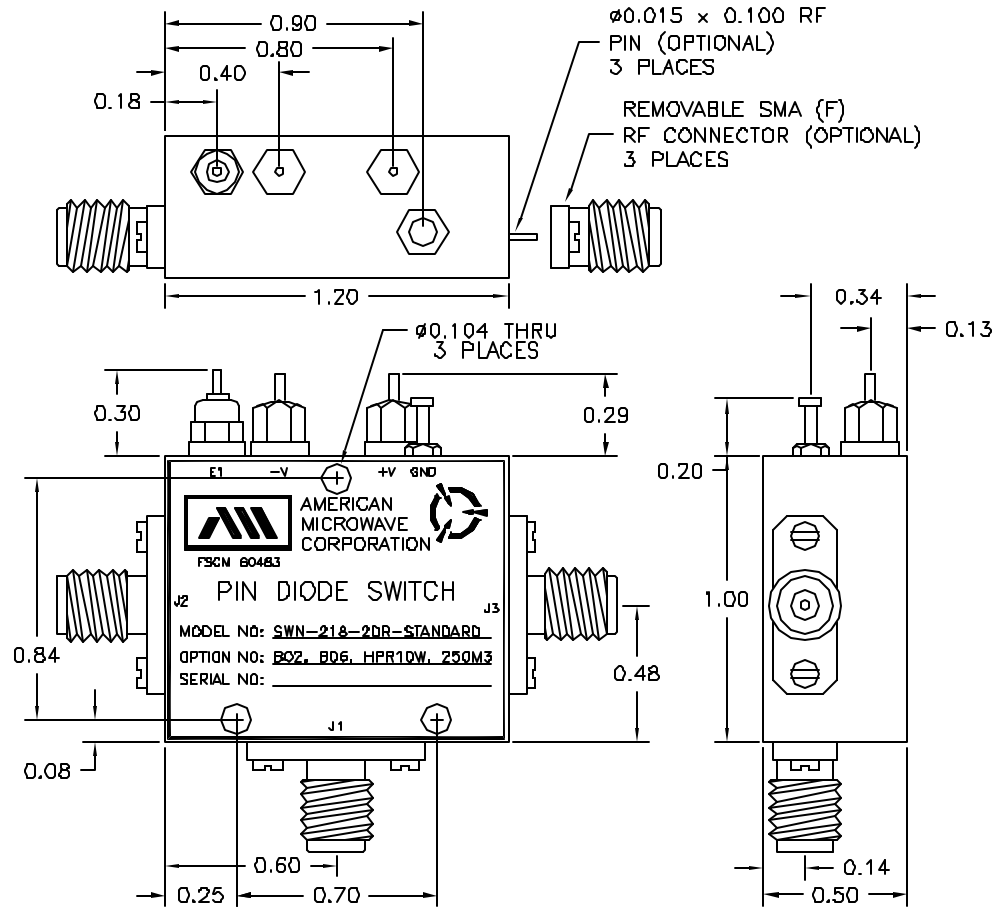
DESCRIPTION

AMC MODEL SWN-218-2DR-STANDARD OPTIONS: B02, B06, HPR10W, 250M3 IS A REFLECTIVE SINGLE POLE TWO THROW SWITCH DESIGNED FOR HIGH POWER APPLICATIONS BETWEEN A 250 MHz TO 3 GHz FREQUENCY RANGE.

REVISIONS				
ZONE	REV.	DESCRIPTION	DATE	APPROVED
	-	ORIGINAL RELEASE JOB# 602035N	4/12/06	

SPECIFICATIONS

- FREQUENCY RANGE: 250 MHz TO 3 GHz
- INSERTION LOSS: 1.5 dB MAXIMUM
- ISOLATION: 60 dB MINIMUM
- VSWR: 2.0:1
- RISE TIME: 60 nSec MAXIMUM
- FALL TIME: 60 nSec MAXIMUM
- DELAY ON: 125 nSec MAXIMUM
- DELAY OFF: 125 nSec MAXIMUM
- RF POWER: +40 dBm MAXIMUM
- CONTROL: TTL SINGLE CONTROL
 LOGIC "0" = J1 TO J2 ON
 LOGIC "1" = J1 TO J3 ON
- POWER SUPPLY: +5V @ 100 mA MAXIMUM
 -15V @ 75 mA MAXIMUM
- CONNECTORS:
 RF: SMA FEMALE
 POWER: SOLDER PIN
 CONTROL: SOLDER PIN
- SIZE: 1.20" (L) x 1.00" (W) x 0.50" (H)
- WEIGHT: 1.5 OUNCE TYPICAL



OPTIONS:

- B02: -15V POWER SUPPLY
- B06: HIGH POWER
- HPR10W: POWER HANDLING OF 10 WATTS
- 250M3: 250 MHz TO 3 GHz FREQUENCY RANGE

ENVIRONMENTAL RATINGS:

- TEMPERATURE: -55°C TO +85°C (OPERATING)
 -65°C TO +125°C (STORAGE)
- HUMIDITY: MIL-STD-202F, METHOD 103B COND. B
- SHOCK: MIL-STD-202F, METHOD 213B COND. B
- VIBRATION: MIL-STD-202F, METHOD 204D COND. B
- ALTITUDE: MIL-STD-202F, METHOD 105C COND. B
- TEMPERATURE CYCLE: MIL-STD-202F, METHOD 107D COND. A

ALL DIMENSIONS ARE IN INCHES
 TOLERANCES:
 .XXX ±0.020
 .XXX ±0.010

NOTE: SPECIFICATIONS WILL VARY OVER OPERATING TEMPERATURE
 NOTE: THE ABOVE SPECIFICATIONS ARE SUBJECT TO CHANGE OR REVISION

AMERICAN MICROWAVE CORPORATION

7311-G GROVE ROAD
 FREDERICK, MARYLAND 21704 USA
 TEL: 301-662-4700 FAX: 301-662-4938
 WEBSITE: www.americanmicrowavcorp.com
 E-MAIL: sales@americanmicrowavcorp.com
 ISO 9001:2000 CERTIFIED



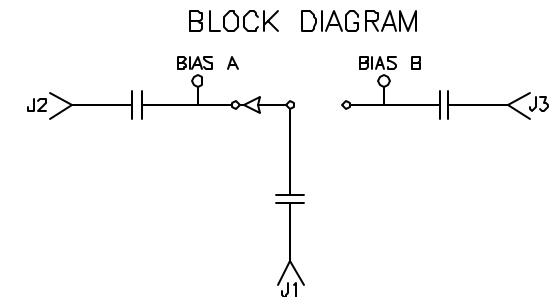
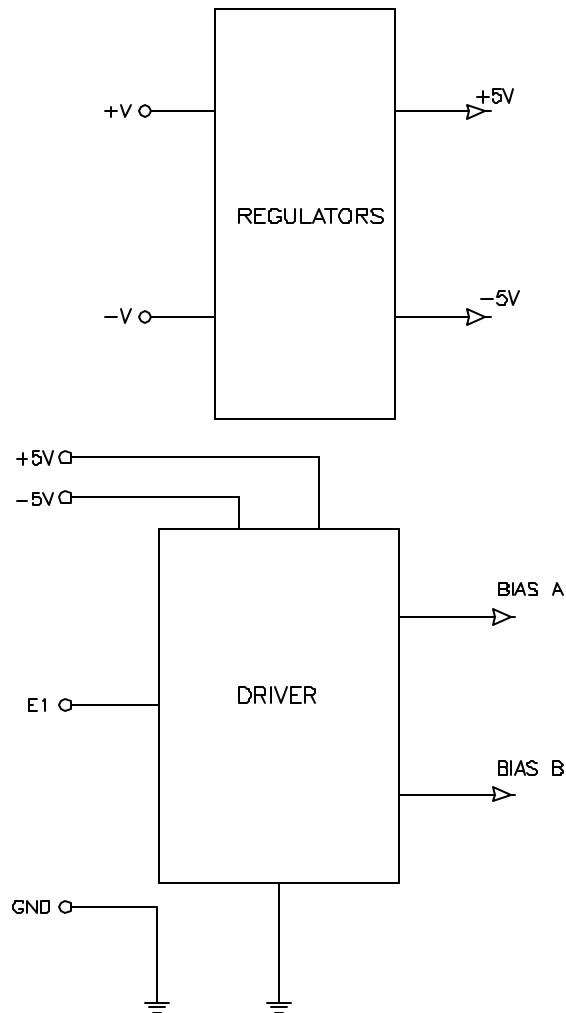
APPROVALS		DATE	TITLE		
DRAWN <i>FDS</i>		4/12/06	PRODUCT FEATURE SWN-218-2DR-STANDARD OPTION: B02, B06, HPR10W, 250M3 250 MHz-3 GHz, SINGLE POLE TWO THROW SWITCH		
CHECKED			SIZE	FSCN NO.	DWG NO.
ISSUED			A	60483	100-7638
SCALE N:S				SHEET 1 OF 4	

DESCRIPTION

AMC MODEL SWN-218-2DR-STANDARD OPTIONS: B02, B06, HPR10W, 250M3 IS A REFLECTIVE SINGLE POLE TWO THROW SWITCH DESIGNED FOR HIGH POWER APPLICATIONS BETWEEN A 250 MHz TO 3 GHz FREQUENCY RANGE.

REVISIONS				
ZONE	REV.	DESCRIPTION	DATE	APPROVED
	-	ORIGINAL RELEASE JOB# 602035N	4/12/06	

FUNCTIONAL BLOCK DIAGRAM



AMERICAN MICROWAVE CORPORATION

7311-G GROVE ROAD
 FREDERICK, MARYLAND 21704 USA
 TEL: 301-662-4700 FAX: 301-662-4938
 WEBSITE: www.americanmicrowavecorp.com
 E-MAIL: sales@americanmicrowavecorp.com
 ISO 9001:2000 CERTIFIED



APPROVALS		DATE	TITLE		
DRAWN	<i>FDF</i>	4/12/06	FUNCTIONAL BLOCK DIAGRAM SWN-218-2DR-STANDARD OPTION: B02, B06, HPR10W, 250M3 250 MHz-3 GHz, SINGLE POLE TWO THROW SWITCH		
CHECKED			SIZE	FSCHM NO.	DWG NO.
ISSUED			A	60483	100-7638
			SCALE	N:S	SHEET 3 OF 4