

AMERICAN microwave corp

6835 OLNEY-LAYTONSVILLE ROAD, GAITHERSBURG, MARYLAND 20879 (301) 948-6800

UHF/VHF PROGRAMMABLE ATTENUATOR

AGC-218

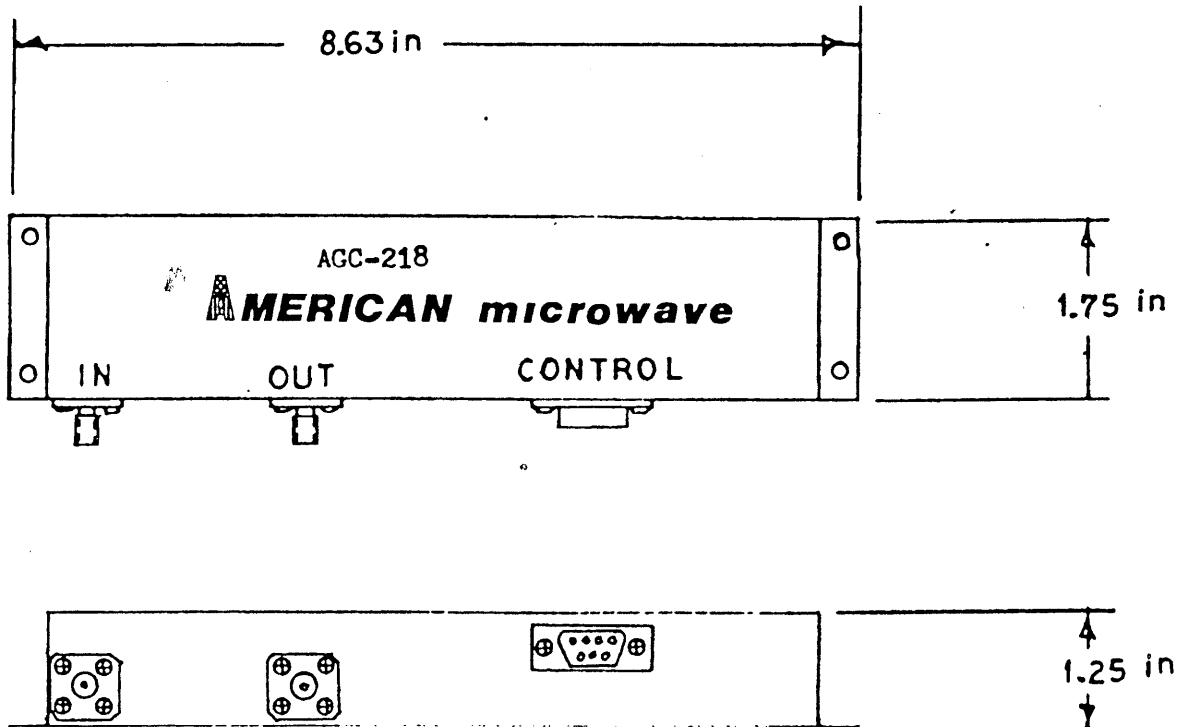
FEATURES

TTL Control
 40dB Attenuation Range
 300MHz Bandwidth
 SMA Connectors

SPECIFICATIONS

Frequency Range: 3-300MHz
 Impedance: 50 Ohms
 Attenuator
 Settings: 8
 Increments: 6dB
 Accuracy: 1dB
 Control: TTL, 3-bit parallel word
 Switching time: 10ms
 Insertion Loss: 2dB, max
 Power Requirements: +15v @ 50ma
 Connectors: SMA
 Operating Temp: 0 to 70 deg C

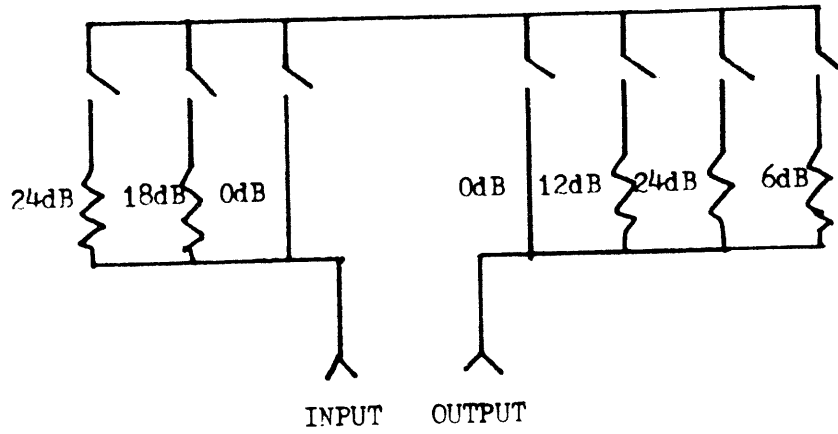
<u>DIGITAL WORD</u>	<u>CONTROL</u> <u>ATTENUATION</u>
111	1.5dB, typ
110	6.5
101	12.5
100	19
011	25
010	32
001	38.5
000	44



UHF/VHF PROGRAMMABLE ATTENUATOR

AGC-218

SCHEMATIC



TYPICAL DATA

