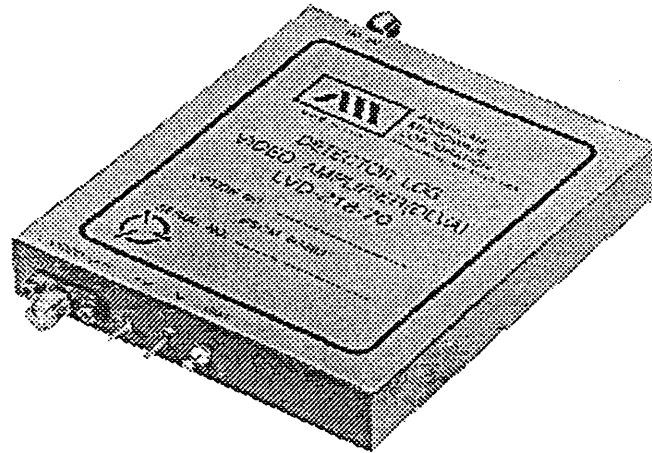


DLVA

DETECTOR LOG VIDEO AMPLIFIER
2-18 GHz, 75 dB DYNAMIC RANGE

MODEL: LVD-218-70



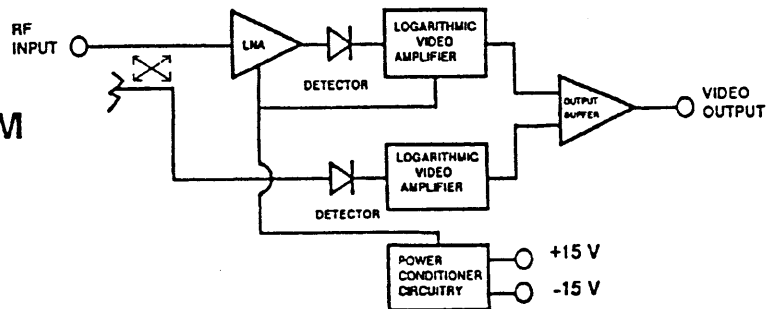
FEATURES

- DC Coupled
- Wide Bandwidths
- Fast Rise Times
- Short Recovery Times
- Extended Dynamic Range
- MMIC Reliability

DESCRIPTION

The LVD-218 -70 Series DLVA's offer 80 dB dynamic range over the full 2-18 GHz bandwidth with DC coupling. Units employ planar diode detectors , a GaAs FET LNA and monolithic video circuitry for high speed performance and outstanding reliability. They are available with optional external or internal controlled CW nulling.

FUNCTIONAL BLOCK DIAGRAM



GUARANTEED SPECIFICATIONS

PARAMETER SPECIFICATIONS

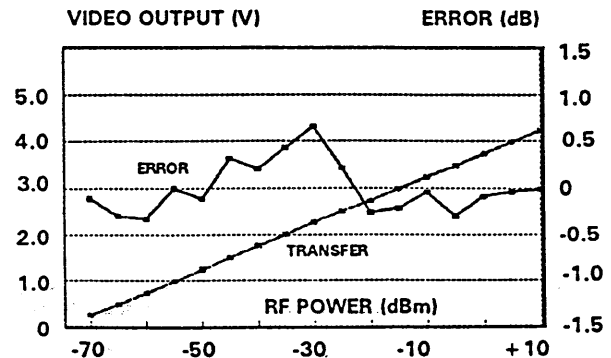
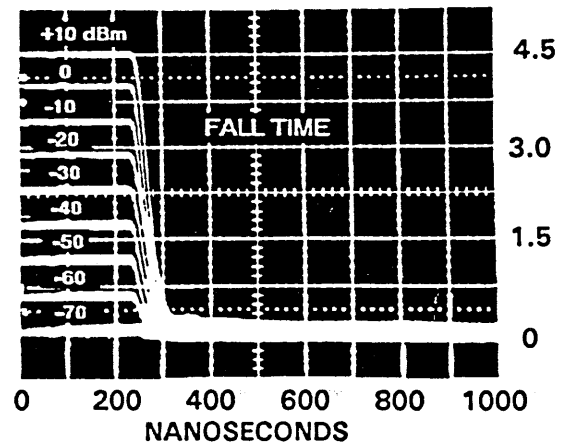
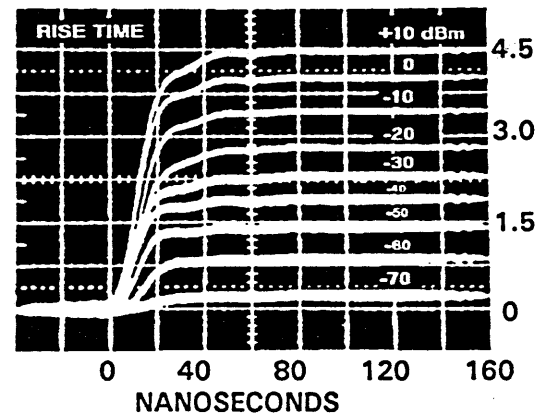
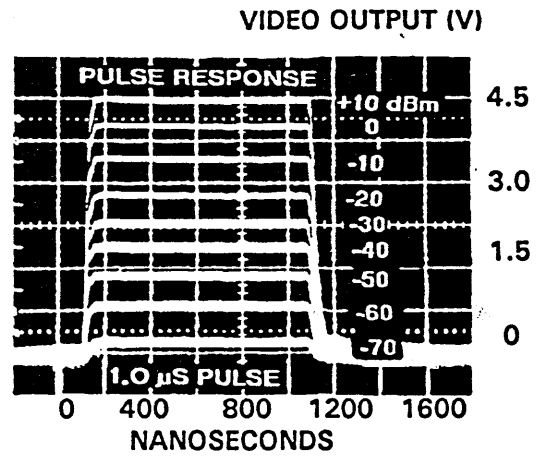
• Frequency (note 4)	2-18 GHz
• Flatness (-20dBm)	± 2.5 dB
• VSWR	3.0:1, Max
• TSS	-68 dBm, Min.
• Logging Range	-65 to +10 dBm
• Log Slope (see note 1)	50 mV/dB
• Log Linearity (-65 to +10 dBm)	± 2.0 dB, Max.
• Output Stability (0°C to +60°C)	± 2.0 dB, Max.
• Pulse Width Range	50 ns to CW
• Rise Time	30 ns, Max.
• Recovery Time	350 ns, Max
• Video Load (note 2)	100 Ohms, Min.
• D.C. Power (note 3)	+15V@400mA -15V @150mA
• Weight	7.0 oz.

Notes:

1. Other Log slopes available.
2. Other Video Loads down to 50 Ohms available.
3. Other voltages from ±9V to ±18V available.
4. 0.2 to 20 GHz RF Bandwidth available.
5. -55°C to +85°C operating temperature.
6. Internal or external cw nulling available.

TYPICAL PERFORMANCE

VIDEO RESPONSE



MECHANICAL DATA

